



AIRFORMS

855-340-8244

airforms.biz

**2020 PRODUCT CATALOG
FAA-PMA AIRCRAFT PARTS**

ONLINE: WWW.AIRFORMS.BIZ EMAIL: INFO@AIRFORMS.BIZ

About Airforms

Founded in 1998 by pilots and mechanics, Airforms, Inc. is a preferred supplier of aircraft components for many aircraft owner/operators. Airforms carries a large inventory of FAA PMA approved parts.

Airforms is located in the heart of the Alaskan aviation scene, 60 miles from Anchorage. Our products are developed from real world needs, and have often been requested by experienced pilots and operators.

Our team of craftsmen is proud of the impeccable workmanship and quality exhibited in all our products. High quality and commitment to customer satisfaction are key to our company mission. All our parts are manufactured using state of the art CAD/CAM technology and CNC equipment. Use of the latest technology combined with exemplary craftsmanship has brought a high level of refinement to our products.

Airforms, Inc. maintains an FAA accepted Quality Assurance System for production of FAA PMA parts. Airforms also maintains a full time staff of FAA Designated Engineering Representatives (DERs) who are continuously involved in design and FAA certification activities.

We ship parts to every corner of the globe and we can supply FAA form 8130-3 with any approved part upon request. Airforms keeps stock of all FAA PMA approved parts, and can often accommodate AOG requests.

We welcome your feedback! Customer service is our top priority. Airforms is open from 7 AM to 7 PM Central Standard Time (CST) to serve you throughout the business day. We may be reached immediately either by phone or e mail; or select the Contact Us portion of our website www.airforms.biz, which is maintained continuously with updated products, pricing, and ordering information.

Shipping/Mailing address:

Airforms, Inc.
3650 W. Aviation Ave.
Wasilla, AK 99654 USA

Phone (855) 340-8244
Local Phone (907) 357-8244
Fax (907) 357-7244

E mail info@airforms.biz
Web www.airforms.biz

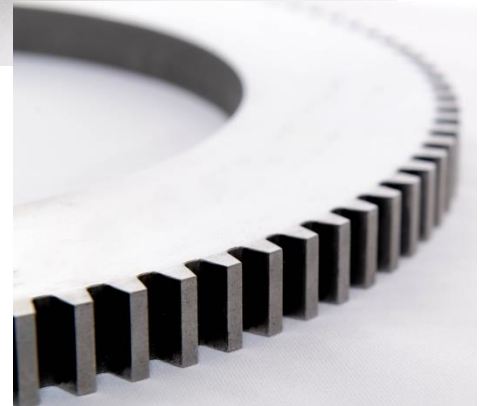
Table of Contents

CASA 212 BRAKE DISC	5
CASA 212 BUSHINGS.....	6
CASA 212 NOSE GEAR FORK BOLT	7
CASA 212 STEERING ACTUATOR HOUSING AND END CAPS - COMING SOON.....	8
CESSNA SINGLE ENGINE MAIN GEAR AXLE (STEEL).....	9
CESSNA TITANIUM SINGLE ENGINE MAIN GEAR AXLE.....	10
CESSNA 207 CARGO DOOR UP LATCH	11
CESSNA 206/207/210 HEAT SHIELD	12
CESSNA 208/208B OIL COOLER BAFFLE.....	13
CESSNA 208/208B PRIMARY EXHAUST FLANGE	14
CESSNA 208 CABIN HEAT VENTS	15
CESSNA 208B CABIN HEAT VENTS	16
CESSNA 208/208B TAIL TIE DOWN HANDLE.....	17
CESSNA 208/208B TIE-DOWN TRIM PLATE.....	18
CESSNA 208/208B CREW DOOR PANELS.....	19
CESSNA 208/208B FUEL SELECTOR PANELS - COMING SOON.....	20
CESSNA 208/C208B TORQUE LINK PIN STC	21
CESSNA 208/C208B TORQUE LINK PIN STC (CONT'D)	22
CESSNA 208/208B TORQUE LINK PINS, BOLTS, AND BUSHINGS	23
CESSNA 208/208B TORQUE LINK STC TOOL KITS	24
CESSNA 208/208B TORQUE LINK.....	25
CESSNA 208/208B HIGH STRENGTH WHEEL BOLT STC	26
CESSNA 208/208B PASSENGER DOOR STEP.....	27
CESSNA 208/208B DOOR HINGES	28
CESSNA 208/208B CREW STEP LADDER.....	29
GA8/GA8-TC AIRVAN CABIN TRIM.....	30
GA8/GA8-TC AIRVAN GRAVEL DEFLECTORS.....	31
HELIO H-295 HIGH STRENGTH AXLE	32
HELIO H-295 HIGH STRENGTH STABILATOR BRACKETS.....	33
PIPER PA-31 DOOR LATCH.....	34
ELIGIBILITY INDEX: CESSNA PMA APPROVED BAFFLES	35
ELIGIBILITY INDEX: PIPER PMA APPROVED BAFFLES	36
CESSNA 150 (1964-1970).....	37
CESSNA 150 (1971-1977).....	38
CESSNA 152 (1978-1982).....	39
CESSNA 170A / B (1949 - 1952)	40
CESSNA 170B (1953-56) - 172 (1956-58).....	41
CESSNA 172 I, K, L (1968-1972) EARLY M (1973)	42
CESSNA 172M (1974 - 1976).....	43
CESSNA 172N 1977 - 1979.5.....	44
CESSNA 172N (1979.5 - 1980).....	45
CESSNA 172P	46
CESSNA 172R (1997-1998).....	47
CESSNA 172R (1999-2004).....	48
CESSNA 172RG (1979-1985).....	49

CESSNA 172S (1998 - 2004.5)	50
CESSNA 177 (1968).....	51
CESSNA 177 (1973-1974).....	52
CESSNA 177RGII (1975-1978)	53
CESSNA 180 (1956-1981) / 182 (1958-1973).....	54
CESSNA 180 (1956-1981) / 182 (1958-1973) OIL COOLER OPTIONS	55
CESSNA 182 (1974-1976).....	56
CESSNA 182 (1977-1986).....	57
CESSNA 182 (1974-1986) OIL COOLER OPTIONS	58
CESSNA 185.....	59
CESSNA 185 OIL COOLER OPTIONS.....	60
CESSNA 206 (1964) // U206 (1965-1971.5) // 207 (1969-75)	61
CESSNA P206 (1965-70)	62
CESSNA 206 (1964-1971.5) / P206 (1965-70) / 207 (1969-75) OIL COOLER OPTIONS.....	63
CESSNA 206 (1974-1986).....	64
CESSNA 210 (1970-1973).....	65
CESSNA 210 (1976-1980).....	66
CESSNA 402C, 414A.....	67
BEECHCRAFT BARON 95-55, 95-A55, 95-B55	68
GRUMMAN AA-5A	69
GRUMMAN AA-5B	70
MOONEY M20J	71
PIPER PA-18-150	72
PIPER PA-22-150	73
PIPER PA-28-140 (1964 -1971.5).....	74
PIPER PA-28-161	75
PIPER PA-28-180 (1965-72.5).....	76
PIPER PA-28-180 (1972.5-75).....	77
PIPER PA-28-181 ARCHER 2.....	78
PIPER PA-28-181 ARCHER 3.....	79
PIPER PA-28R-200	80
PIPER PA-28R-201	81
PIPER PA-28-235	82
PIPER PA-28-236	83
PIPER PA-30	84
PIPER PA-31-310	85
PIPER PA-31 325 / 350.....	86
PIPER PA-32-260	87
PIPER PA-32-300	88
PIPER PA-39	89
PIPER PA-44-180	90

CASA 212 BRAKE DISC

Part #	Description	Eligibility
AF5004272	BRAKE DISC	All EADS CASA model 212-200 and 212-300



- Airforms P/N AF5004272, Brake disc
- Direct replacement for Meggitt P/N 5004272
- Eligible for all S/N aircraft, CASA model 212-200, 212-300
- Airforms part is manufactured from identical material and is precisely machined to match original part performance
- Precision fit – drop in replacement for the original part
- Ready for installation
- FAA PMA Approved
- Stock maintained for immediate worldwide shipping

CASA 212 BUSHINGS



Airforms Part #	Replaces CASA Part #	Eligibility
AF212-46614-04-1	212-46614-04-1	All S/N CASA 212
AF212-14105-02.1	212-14105-02.1	All S/N CASA 212
AFCAN64067-6X10BP	CAN64067-6X10BP	All S/N CASA 212
AFCAN64067-8X8BP	CAN64067-8X8BP	All S/N CASA 212
AFCAN64068-8X5AP	CAN64068-8X5AP	All S/N CASA 212
AFCAN64068-10X5AP	CAN64068-10X5AP	All S/N CASA 212
AFCAN64068-10X6AP	CAN64068-10X6AP	All S/N CASA 212
AFCAN64068-10X7B	CAN64068-10X7B	All S/N CASA 212
AFCAN64068-10X8AP	CAN64068-10X8AP	All S/N CASA 212
AFCAN64068-10X12BP	CAN64068-10X12BP	All S/N CASA 212
AFCAN64068-10X13BP	CAN64068-10X13BP	All S/N CASA 212
AF212-42101-02-1	212-42101-02-1	All S/N CASA 212
AF212-42107-04-1	212-42107-04-1	All S/N CASA 212
AFCAN64068-12X14BP	CAN64068-12X14BP	All S/N CASA 212
AFCAN64068-12X24BP	CAN64068-12X24BP	All S/N CASA 212
AFCAN64068-14X10B	CAN64068-14X10B	All S/N CASA 212
AFCAN64068-14X14B	CAN64068-14X14B	All S/N CASA 212
AF212-41201-02-1	212-41201-02-1	All S/N CASA 212
AF212-41201-02-1-004	212-41201-02-1-004	All S/N CASA 212

- Eligible for installation on CASA model 212 – all S/N’s
- Precision fit drop-in replacements for original parts
- Airforms’ bushings are machined from a nickel bronze alloy for high durability and long life
- FAA PMA Approved

CASA 212 NOSE GEAR FORK BOLT

Part #	Description	Eligibility
AF212-42001-06-3	CASA 212 Nose Gear Fork Bolt	CASA 212-CB through CF, 212-DE, 212-DF



- FAA PMA Approved
- Precision Machined for Superior Fit
- A Fraction of the Cost of OEM Replacements
- Direct Replacement for OEM Part Numbers 212-42001-06-1 & 212-42001-06-3
- Eligible for Installation on Most CASA 212 Models

CASA 212 STEERING ACTUATOR HOUSING AND END CAPS - COMING SOON

Part #	Description	Eligibility
AF212-42112-01.7-51	Housing, CASA 212 Steering Actuator	All S/N CASA 212-200
AF212-42112-04.1	End Cap, CASA 212 Steering Actuator	All S/N CASA 212-200



- All components machined from aerospace grade aluminum alloys
- Drop in replacements for CASA P/N's 212-42112-01.7-51, and 212-42112-04.1
- End Caps have reinforced design for resistance to cracking
- All components are anodized for long life
- Latest housing design incorporating all CASA revisions
- All components interchangeable with OEM parts on individual basis
- All components pressure tested IAW CASA maintenance procedures
- Precision fit – drop in replacements for original components
- FAA PMA Approval pending

CESSNA SINGLE ENGINE MAIN GEAR AXLE (STEEL)

Part #	Description	Eligibility
AF1441003-1	AXLE, HIGH STRENGTH	Cessna 170, 172, 175, 180, 182, 185, 206 and L-19 (305) w/ spring steel gear



- Airforms P/N AF1441003-1
- Direct replacement for Cessna parts 0541124, 0541124-1, and 1441003-1
- Applicable to a wide range of Cessna aircraft, including Cessna 170, 172, 175, 180, 182, 185, 206 and L-19 (305)
- Enhanced structural margin when operating with large tires or skis
- Airforms part is manufactured from high strength steel and is machined from a single billet
- Precision fit – drop in replacement for the original part
- Cadmium plated for increased durability
- This part has a long and successful service history and is favored by many owner/operators who cannot afford to be stranded with a broken axle when operating in remote areas
- FAA PMA Approved

CESSNA TITANIUM SINGLE ENGINE MAIN GEAR AXLE

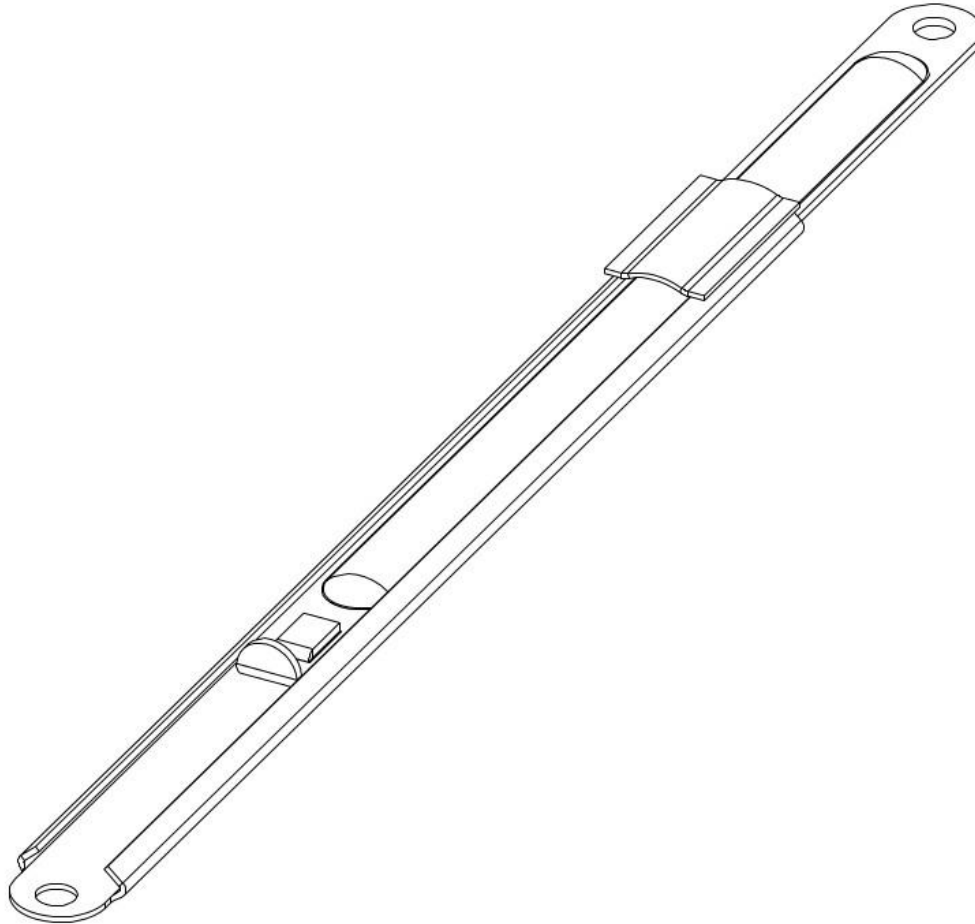
Part #	Description	Eligibility
AF1441003-1T	AXLE, TITANIUM	Cessna 170, 172, 175, 180, 182, 185, 206 and L-19 (305) with flat spring gear



- Adds strength and reduces weight by 2 pounds per pair over steel axles
- Applicable to a wide range of Cessna aircraft, including Cessna 170, 172, 175, 180, 182, 185, 206 and L-19 (305)
- Direct replacement for Cessna parts 0541124, 0541124-1, and 1441003-1
- Enhanced structural margin when operating with large tires or skis
- Precision fit – direct replacement for the original part
- Will not rust
- FAA PMA Approved

CESSNA 207 CARGO DOOR UP LATCH

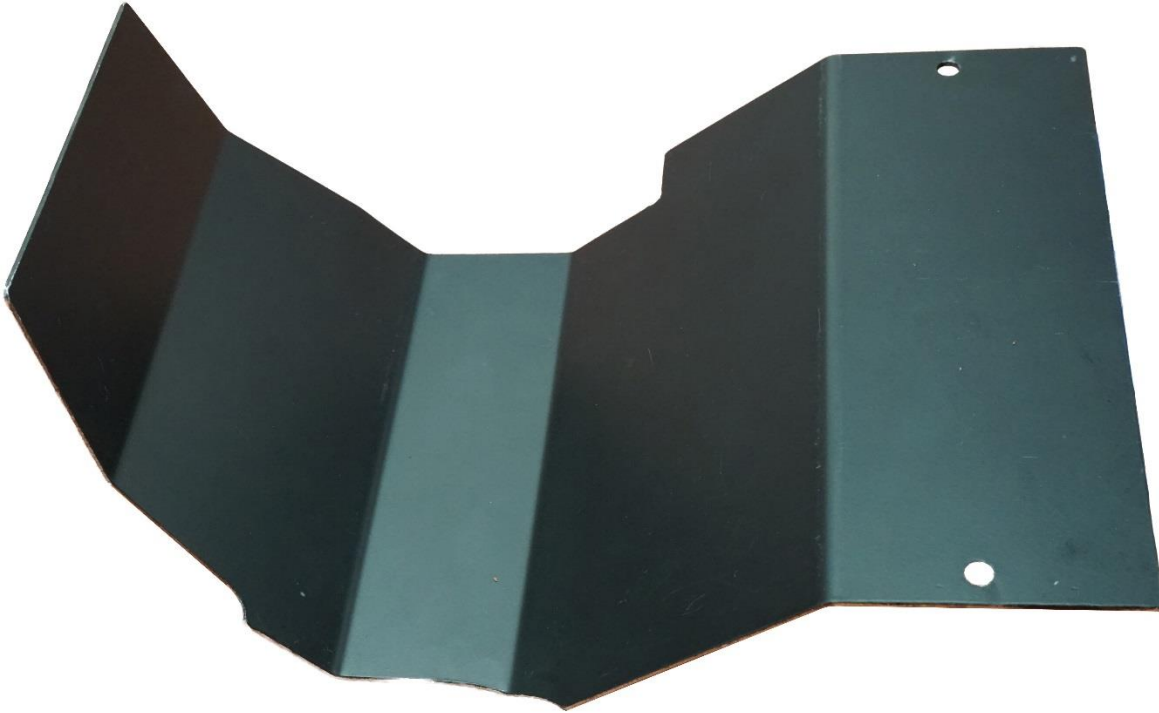
Part #	Description	Eligibility
AF1213922-1	Cargo door up latch	All S/N Models 207, 207A, T207, and T207A



- Cargo door up latch for nose baggage compartment
- Direct replacement for Cessna P/N 1213922-1
- Eligible for all S/N aircraft, Cessna models 207, 207A, T207, and T207A
- Improved strength and serviceability from original part
- Nickel plated for long service life with less corrosion
- Precision fit – drop in replacement for the original part
- No more holding up the door while loading!
- FAA PMA Approved
- Ready for installation

CESSNA 206/207/210 HEAT SHIELD

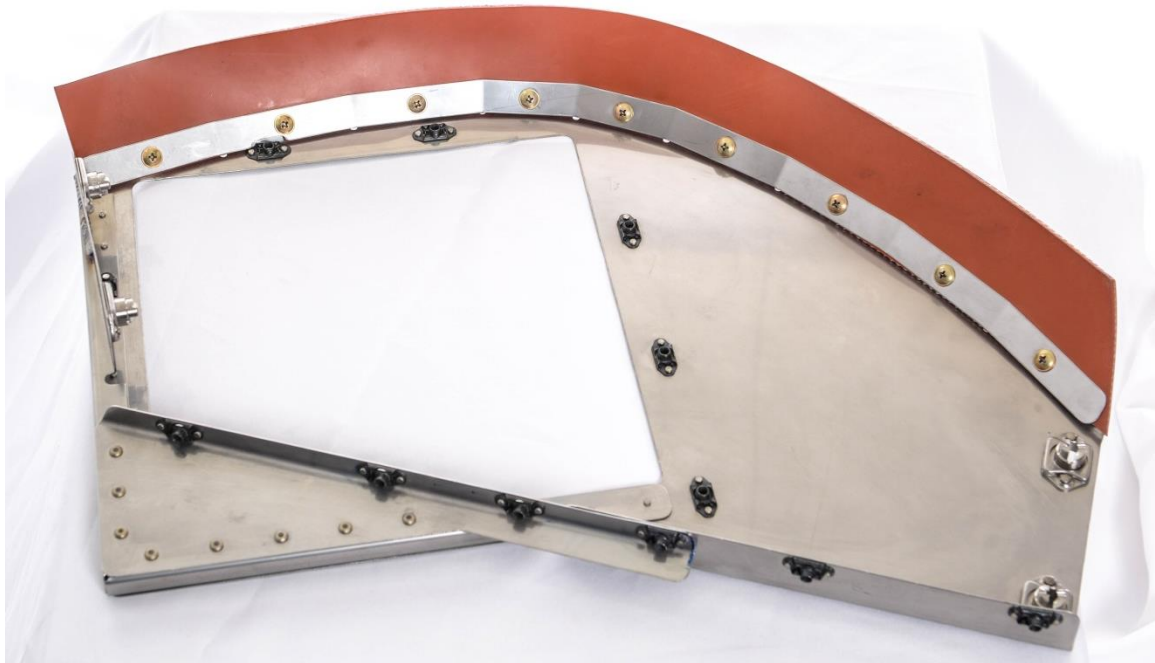
Part #	Description	Eligibility
AF1250918-2	Engine Mount Heat Shield	Cessna 206/207/210



- Drop in replacement for Cessna P/N 1250918-2
- Aluminum construction resists heat absorption
- Cerakote coating inhibits transfer of heat to engine mount isolators
- Protects engine mount isolators for long life
- FAA PMA Approved

CESSNA 208/208B OIL COOLER BAFFLE

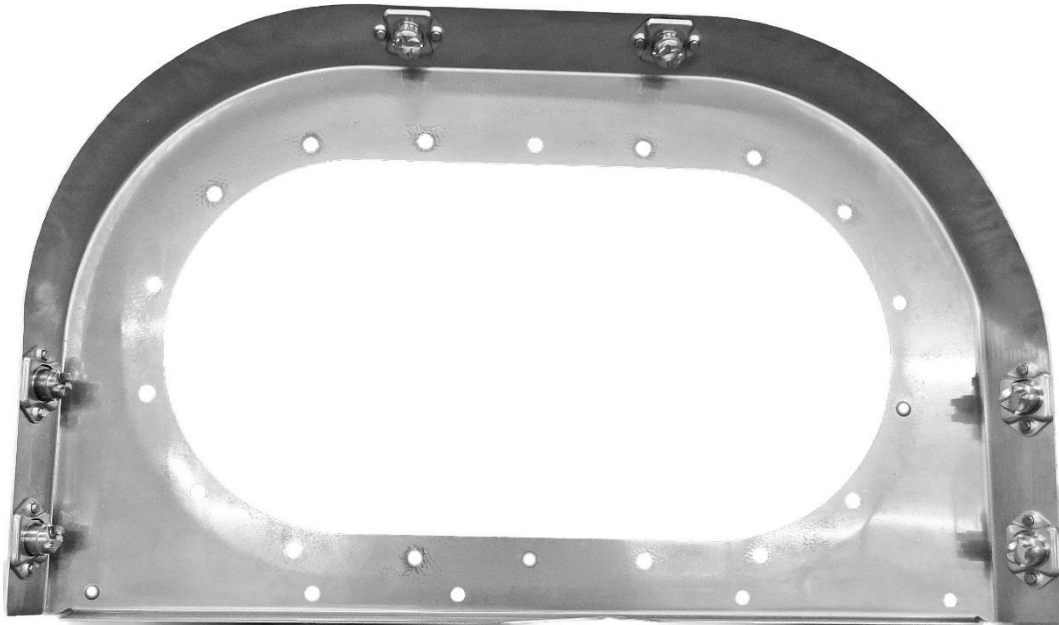
Part #	Description	Eligibility
AF2650098-5	Baffle, oil cooler	All S/N Model 208 & 208B



- Airforms P/N AF2650098-5, Oil Cooler Baffle
- Direct replacement for Cessna P/N 2650098-4 and -5
- Eligible for all S/N aircraft, Cessna models 208 and 208B w/ PT6A-114A engine and large oil cooler
- Reinforced design for longer life – increased thickness, doublers added at critical locations to extend serviceability
- Replaceable low cost seal
- Precision fit – drop in replacement for the original part
- FAA PMA Approved

CESSNA 208/208B PRIMARY EXHAUST FLANGE

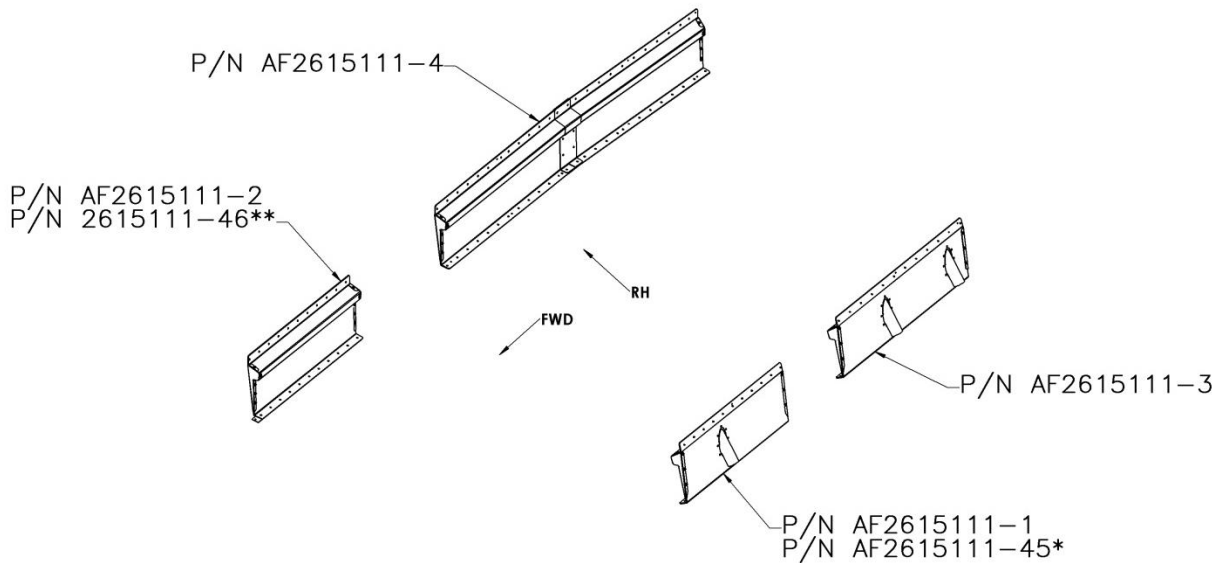
Part #	Description	Eligibility
AF2654006-10	Exhaust Flange Assembly	All S/N Model 208 & 208B



- Airforms P/N AF2654006-10, Exhaust Flange Assembly
- Direct replacement for Cessna P/N 2654006-10
- Airforms, Inc. replacement part features a wide notch for improved clearance, and the removal of one fastener. These design features reduce the stress concentration on the component during operations, for improved longevity
- Flange is formed from durable stainless steel
- Eligible for installation on all C208/208B aircraft with -114 and -114A engines
- Precision fit – drop in replacement for the original part
- FAA PMA Approved

CESSNA 208 CABIN HEAT VENTS

Part #	Description	Eligibility
AF2615111-1	Heater Vent LH FWD CNTR	S/N's 0001 thru 0312
AF2615111-2	Heater Vent RH FWD CNTR	S/N's 0001 and on
AF2615111-3	Heater Vent LH AFT	S/N's 0001 and on
AF2615111-4	Heater Vent RH AFT	S/N's 0001 and on
AF2615111-45	Heater Vent LH FWD CNTR	S/N's 0313 and on

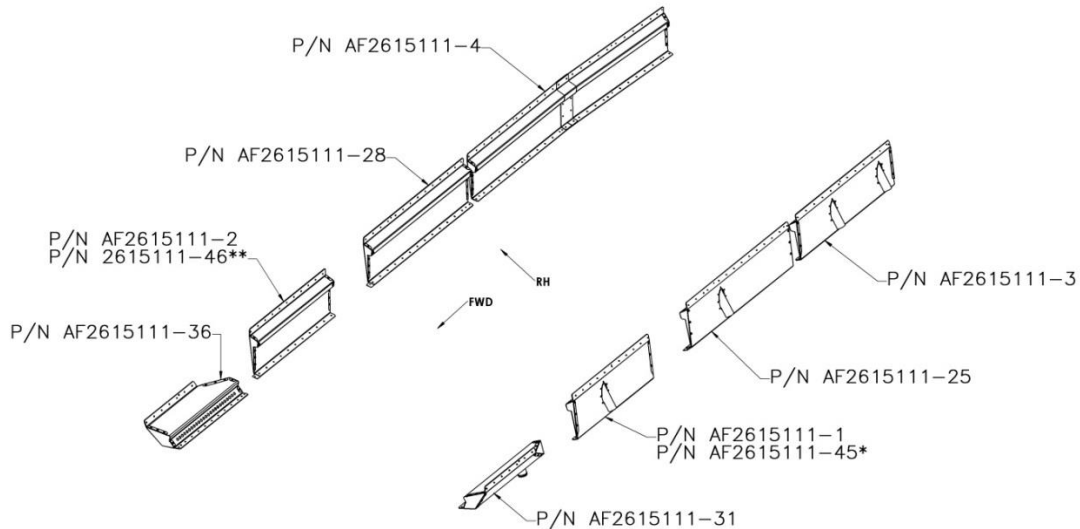


NOTES:
 * -45 APPLICABLE TO S/N 20800313 AND ON
 ** AIRFORMS -2 VENT REPLACES CESSNA -2 OR -46, ALL S/N

- Reinforced design for longer life
- Powder coated metal endcaps provide longer service life than fragile plastic OEM endcaps due to higher strength and superior resistance to damage
- Precision fit – drop in replacement for the original parts
- FAA PMA Approved

CESSNA 208B CABIN HEAT VENTS

Part #	Description	Eligibility
AF2615111-1	Heater Vent LH FWD CNTR	S/N's 0214 thru 0765
AF2615111-2	Heater Vent RH FWD CNTR	S/N's 0214 and on
AF2615111-3	Heater Vent LH AFT	S/N's 0214 and on
AF2615111-4	Heater Vent RH AFT	S/N's 0214 and on
AF2615111-25	Heater Vent LH FWD AFT	S/N's 0214 and on
AF2615111-28	Heater Vent RH FWD AFT	S/N's 0214 and on
AF2615111-31	Heater Vent LH FWD	S/N's 0214 and on
AF2615111-36	Heater Vent RH FWD	S/N's 0214 and on
AF2615111-45	Heater Vent LH FWD CNTR	S/N's 0766 and on



NOTES:
 * -45 APPLICABLE TO S/N 208B0766 AND ON
 ** AIRFORMS -2 VENT REPLACES CESSNA -2 OR -46, ALL S/N

- Reinforced design for longer life
- Powder coated metal endcaps provide longer service life than fragile plastic OEM endcaps due to higher strength and superior resistance to damage
- Precision fit – drop in replacement for the original parts
- FAA PMA Approved

CESSNA 208/208B TAIL TIE DOWN HANDLE

Part #	Description	Eligibility
AF2612035-1	Tie down	All Cessna models 208 & 208B



- Airforms P/N AF2612035-1, Tail tie down handle, rear
- Direct replacement for Cessna P/N 2612035-1
- Eligible for all S/N aircraft, Cessna models 208 and 208B
- Precision fit – drop in replacement for the original part
- Aircraft interface unchanged
- Tail stand interface unchanged – works with your existing tail stand
- Comes primed and ready for installation
- FAA PMA Approved

CESSNA 208/208B TIE-DOWN TRIM PLATE

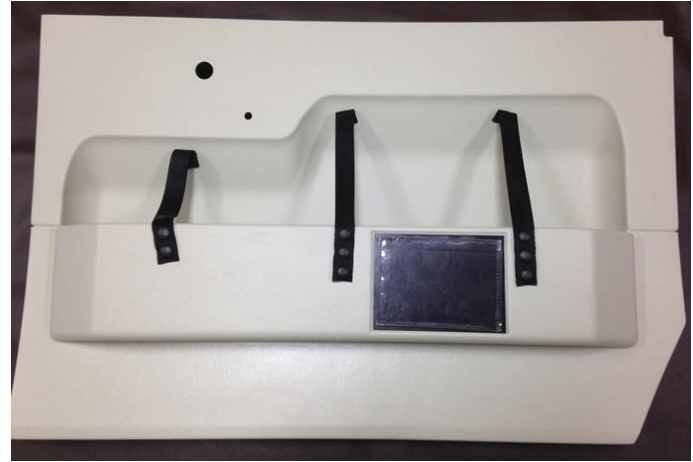
Part #	Description	Eligibility
AF2615118-1	Trim Plate	Cessna 208/208B Passenger aircraft only



- Airforms P/N AF2615118-1, Tie-down trim panel
- Direct replacement for Cessna P/N 2615118-1
- Eligible for Cessna model 208/208B passenger aircraft only
- Airforms part is manufactured from aluminum for longer life – original Cessna part was thin plastic
- Airforms part will not shatter when impacted at low temperatures
- Precision fit – drop in replacement for the original part
- Aircraft interface unchanged
- Durable powder-coating improves interior fit, finish, and longevity
- Ready for installation
- FAA PMA Approved

CESSNA 208/208B CREW DOOR PANELS

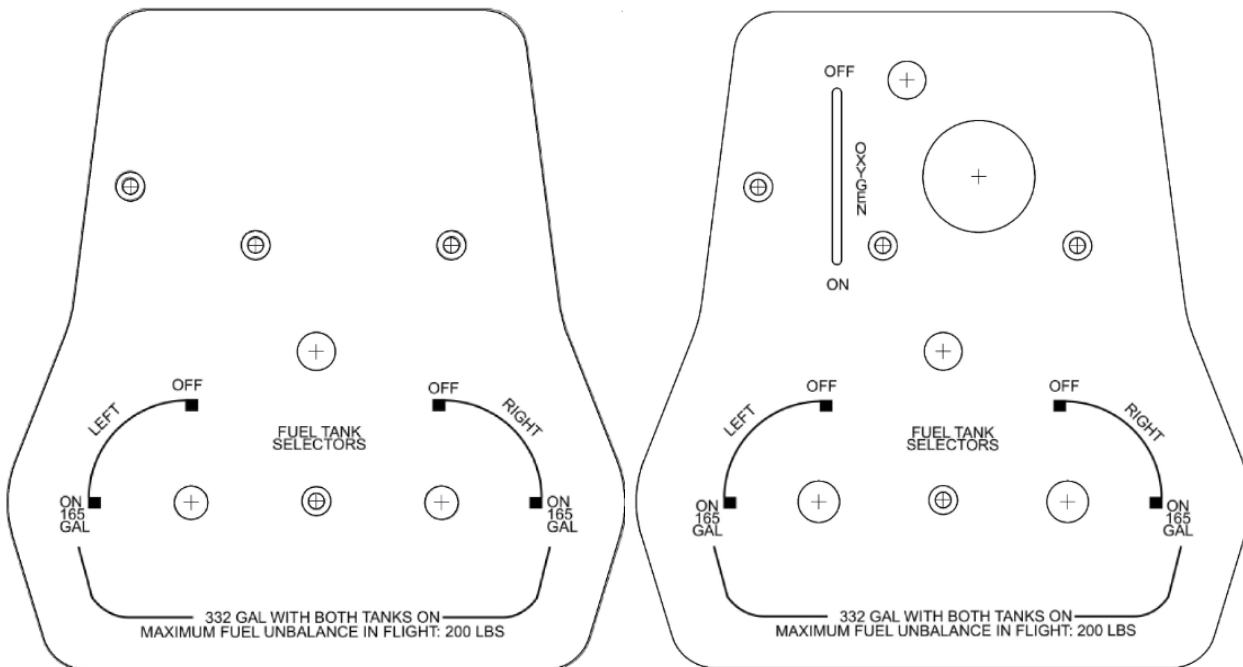
Part #	Description	Eligibility
AF2615180-1	LH CREW DOOR PANEL ASSY	All Cessna models 208 & 208B
AF2615180-2	RH CREW DOOR PANEL ASSY	All Cessna models 208 & 208B



- Airforms P/N AF2615180-1 (LH) and AF2615180-2 (RH)
- Direct replacement for Cessna P/N 2615180-1 and -2
- Eligible for all models 208 and 208B
- Also replaces door panels for early S/N aircraft – for these airframes in particular, the crew door panel can be replaced to bring a modern look and increased utility to your older aircraft
- Airforms part is identical to original Cessna part – includes retaining straps, fire extinguisher recess, large storage pocket, and certificate pouch.
- Precision fit – drop in replacement for the original part
- Installation in aircraft unchanged
- Color matched to original part
- FAA PMA Approved

CESSNA 208/208B FUEL SELECTOR PANELS – COMING SOON

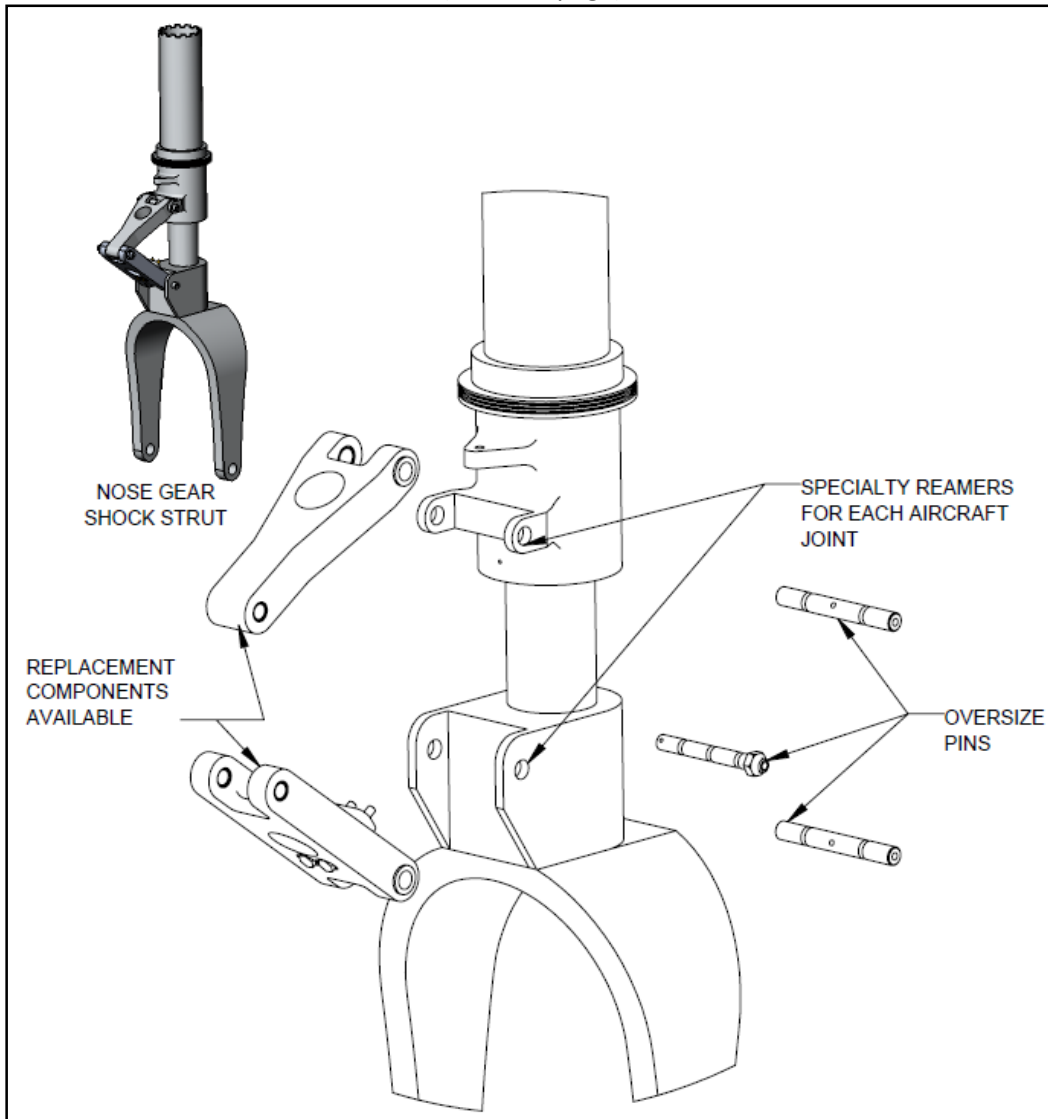
Part #	Description	Eligibility
AF2613437-7	GLASS ASSY-FUEL SELECT PANEL	All Cessna models 208 & 208B WITHOUT oxygen
AF2613437-11	LENS, WITH OXYGEN	All Cessna models 208 & 208B WITH oxygen



- Airforms P/N AF2613437-11, Fuel selector panel with oxygen
- Airforms P/N AF2613437-7, Fuel selector panel with no oxygen
- Direct replacement for Cessna P/Ns 2613437-7 and -11
- Eligible for all S/N aircraft, Cessna models 208 and 208B
- Airforms part is manufactured from slightly thicker clear polycarbonate, to prevent cracking and extend service life
- Part markings unchanged
- Precision fit – drop in replacement for the original part
- Ready for installation
- FAA PMA Approval Pending

CESSNA 208/C208B Torque Link Pin STC

(see next page)



Airforms designed this STC to help operators keep the nose gear linkage tight and shimmy-free. As the torque link joints loosen over time the nose gear is prone to shimmy, especially when operating the larger diameter nose wheel. This STC acknowledges the fact that wear is going to happen over the life of the gear, but by providing oversized pins and a carefully designed set of tools, wear can be removed incrementally to keep the nose gear operating like new. Other options for nose gear maintenance require that the entire nose gear be removed and sent off to be repaired by a repair station. This STC allows the gear to remain on the aircraft and the specialized tool kit allows the wear points to be reamed to exact sizes, even in the field. We've put a lot of thought into this and we truly hope that this STC will dramatically reduce the number of nose gear swaps you must accomplish to keep your Caravan operating.

CESSNA 208/C208B Torque Link Pin STC (Cont'd)

Some Highlights

What does the Airforms Torque Link Pin STC do for my 208/208B?

- Allows for the replacement of loose C208/208B Nose Gear torque link pins and bolts (Cessna Part Numbers 2643091-1 & 2643092-1)
- Allows for reaming of the torque links, bushings and aircraft attachment points, and installation of Airforms Part Numbers AF2643091-1 & AF2643092-1 in graduating oversizes to remove joint slop
- STC can be installed on aircraft without removing nose gear, including reaming operations with available specialty tool kit
- Torque links that were previously shelved for not meeting the maintenance manual limits can be evaluated and potentially put back into service
- **Huge potential for savings during the 40,000 cycle Nose Gear Life Limit**

What about the parts?

- Oversized FAA PMA'd pins & bolts available in .010, .020 and .030 oversizes
- Standard sized pins & bolts also available
- FAA or EASA approved STC sold separately
- Precision machined pins and bolts are Cad plated for long life

What else do I need to install?

- Tool kits available with piloted reamers for all 3 oversizes
- Shim washer installation to accommodate joint wear at center pivot

CESSNA 208/208B TORQUE LINK PINS, BOLTS, AND BUSHINGS

Part #	Description	Eligibility
AF2643085-200	TORQUE LINK BUSHING	All Cessna 208/208B
AF2643091-1	TORQUE LINK PIN - STANDARD	All Cessna 208/208B
AF2643091-1010	TORQUE LINK PIN – OVERSIZE 0.010	All Cessna 208/208B
AF2643091-1020	TORQUE LINK PIN – OVERSIZE 0.020	All Cessna 208/208B
AF2643091-1030	TORQUE LINK PIN – OVERSIZE 0.030	All Cessna 208/208B
AF2643092-1	TORQUE LINK BOLT - STANDARD	All Cessna 208/208B
AF2643092-1010	TORQUE LINK BOLT – OVERSIZE 0.010	All Cessna 208/208B
AF2643092-1020	TORQUE LINK BOLT – OVERSIZE 0.020	All Cessna 208/208B
AF2643092-1030	TORQUE LINK BOLT – OVERSIZE 0.030	All Cessna 208/208B



- Torque Link Pins & Bolts available in standard size as well as .010, .020, .030 oversizes
- Pins, Bolts and Bushings are FAA PMA Approved
- Precision machined Pins and Bolts are Cad plated for long life
- STC and specialty reamer kits available separately
- Standard washers available to prevent lateral play

CESSNA 208/208B TORQUE LINK STC TOOL KITS

Part #	Description	Eligibility
Tool Kit + 0.010	OVERSIZE 0.010 REAMERS – SHORT/LONG PILOTED REAMER, TAP HANDLE	All Cessna 208/208B
Tool Kit + 0.020	OVERSIZE 0.020 REAMERS – SHORT/LONG PILOTED REAMER, TAP HANDLE	All Cessna 208/208B
Tool Kit + 0.030	OVERSIZE 0.030 REAMERS – SHORT/LONG PILOTED REAMER, TAP HANDLE	All Cessna 208/208B
Tool Kit 32-604-56-01	MASTER TOOL KIT FOR TORQUE LINK STC – CONTAINS 6 CUSTOM REAMERS	All Cessna 208/208B



- For use with Airforms Torque Link Repair STC
- Specially designed Self-Piloting Reamers ensure reaming to exact sizes – even in the field
- Each kit contains a long and a short reamer and a ratcheting tap handle
- Kits available in .010, .020, .030 oversizes, or buy all 6 reamers and a tap handle in the master kit

CESSNA 208/208B TORQUE LINK

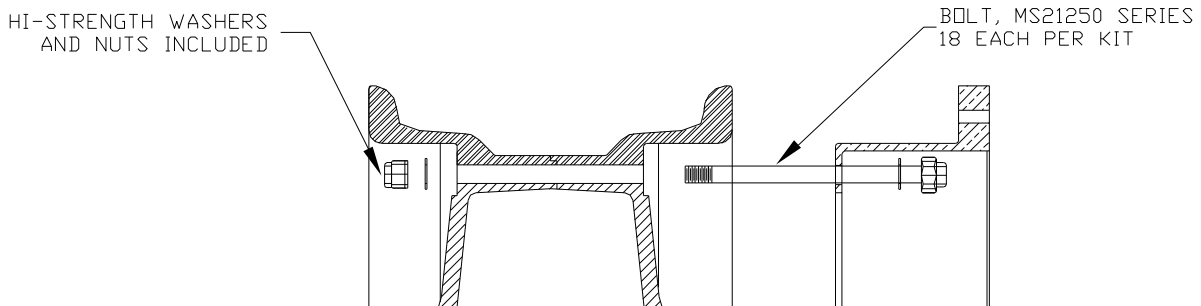
Part #	Description	Eligibility
AF2643084-1	Torque Link Assy – Upper	All Cessna 208/208B
AF2643084-2	Torque Link Assy – Lower	All Cessna 208/208B



- Airforms P/N AF2643084-1, Torque Link Assy – Upper
- Airforms P/N AF2643084-2, Torque Link Assy – Lower
- Direct replacement for Cessna P/Ns 2643084-1 and -2
- Eligible for all S/N aircraft, Cessna models 208 and 208B
- Airforms part provides one of the hardest aluminum surfaces to reduce wear
- Airforms part designed to prevent cracking in threaded grease fitting holes
- Precision fit – drop in replacement for the original part
- Ready for installation
- FAA PMA Approved

CESSNA 208/208B HIGH STRENGTH WHEEL BOLT STC

Part #	Description	Eligibility
AFC-208BOLTKIT-STC+058	HARDWARE AND STC, NO SPACER	All Cessna 208/208B
AFC-208BOLTKIT-STC+060	HARDWARE AND STC, WITH SPACER	All Cessna 208/208B
AFC-208BOLTKIT-058	HARDWARE ONLY NO SPACER	All Cessna 208/208B
AFC-208BOLTKIT-060	HARDWARE ONLY, WITH SPACER	All Cessna 208/208B
AFC-208BOLTKIT-STC-only	STC ONLY, HIGH STRENGTH HARDWARE	All Cessna 208/208B



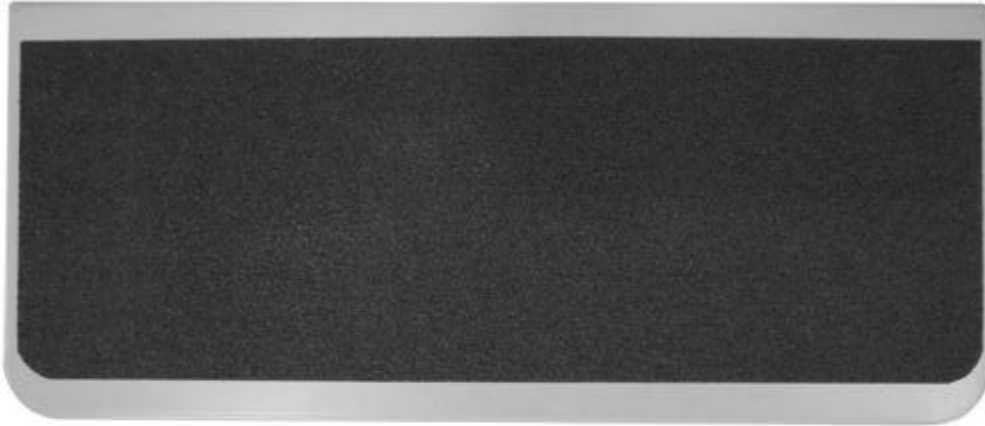
- Airforms bolt kit replaces AN5 wheel hardware with high strength mil-spec hardware
- -058 kit is for aircraft without brake disc spacer
- -060 kit is for aircraft with brake disc spacer
- Kit includes high strength bolts, washers, and nuts.
- Eligible for all S/N aircraft, Cessna model 208 and 208B
- Precision fit – bolts and hardware fit identically
- No changes to continued airworthiness requirements
- FAA & EASA STC approved



CESSNA 208/208B PASSENGER DOOR STEP

Part #	Description	Eligibility
AF2617076-1	PASSENGER DOOR STEP	All Cessna 208/208B

TOP VIEW



BOTTOM VIEW



- FAA PMA & STC Approved
- Direct replacement for upper, middle and lower step (2617076-10, -11, -1)
- 100% Aluminum Construction
- Can Withstand Significantly More Weight Than OEM Part
- Is More Resilient to Weather and the Damaging Effects of Moisture
- Powder Coated to Resist Corrosion
- Provides Longer Service Life Than OEM Steps
- Comes with Slip-Resistant Tape Installed
- Substantial Savings vs. OEM

CESSNA 208/208B DOOR HINGES

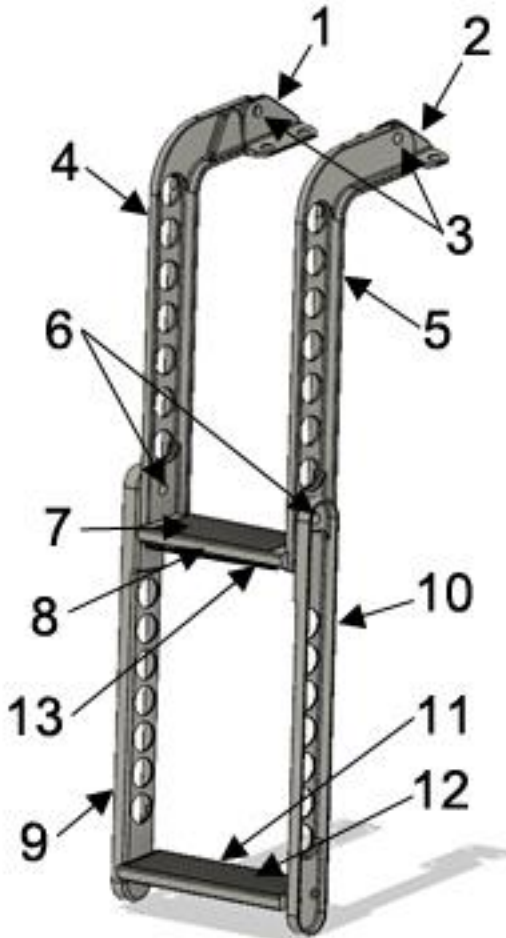
Eligibility: All Cessna 208/208B

Standard Hinge Part #	Bushed Hinge Part #
AF2617015-17	AF2617015-17B
AF2617015-18	AF2617015-18B
AF2617015-19	AF2617015-19B
AF2617015-20	AF2617015-20B
AF2617015-21	AF2617015-21B
AF2617015-22	AF2617015-22B
AF2617015-23	AF2617015-23B
AF2617015-24	AF2617015-24B
AF2617015-26	AF2617015-26B
Bushings Part #	
AF2617015-025 (short)	
AF2617015-049 (long)	



- Standard and Bushed Hinges Are Direct Replacements for Cessna Hinges
- Precision Machined for Superior Fit
- Anodized for Corrosion Resistance
- Bushed Hinges Allow for Multiple Repairs as Bushings Wear – OEM Hinges Only Allow a Single Repair (Cessna CAB96-2)
- FAA PMA Approved
- FAA PMA Approved Bushings Also Sold Separately

CESSNA 208/208B CREW STEP LADDER

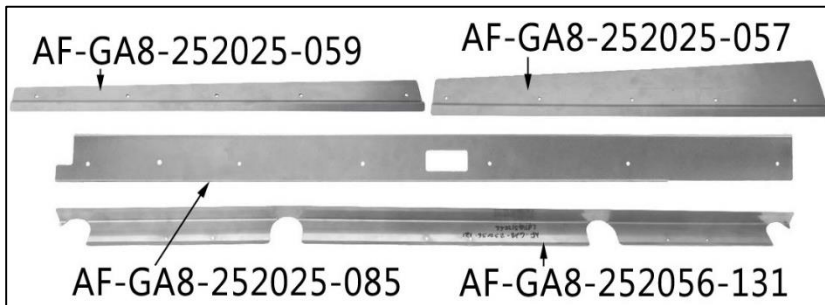
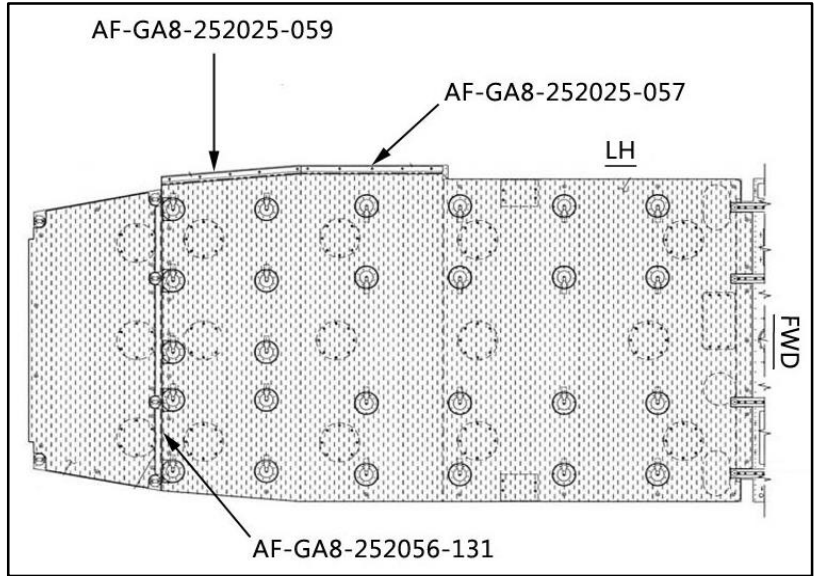
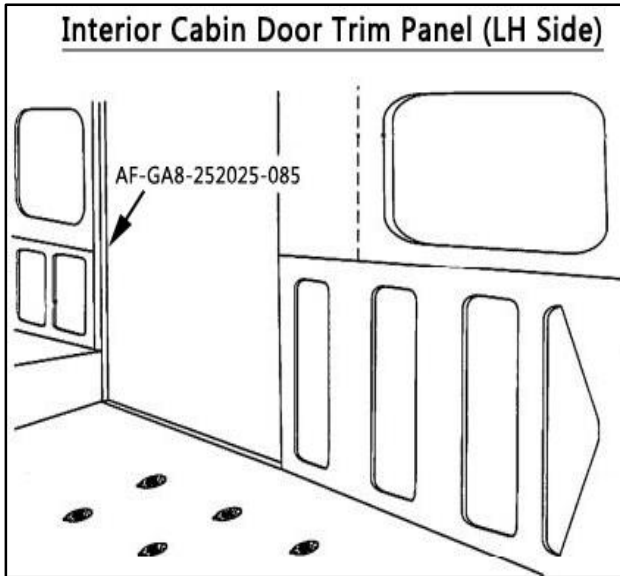


- FAA PMA Approved for most C208 & C208B/EX models
- Superior bushing material provides outstanding corrosion protection
- A fraction of the cost of OEM replacements
- Individual PMA Approved components are compatible with OEM components and are sold separately

Item	Part Number	Description	Eligibility
All	AF2606033-41-1	Complete Crew Step Ladder	All C208/208B
1	AF2606033-36	LH Bracket Assembly	All C208/208B
2	AF2606033-37	RH Bracket Assembly	All C208/208B
3	AF133-4P28	Bracket Spacers	All C208/208B
4	AF2606033-43	LH Upper Arm Assembly	All C208/208B
5	AF2606033-44	RH Upper Arm Assembly	All C208/208B
6	AF133-4P32	Arm Spacers	All C208/208B
7	AF2606033-15	Tread Only– Upper Step	S/N 0001-0308, B0001-B5425
8	AF2606033-12	Upper Step Assembly with Tread	S/N 0001-0308, B0001-B5425
9	AF2606033-2	LH Lower Arm Assembly	All C208/208B
10	AF2606033-4	RH Lower Arm Assembly	All C208/208B
11	AF2606033-10	Lower Step Assembly with Tread	S/N 0001-0308, B0001-B5425
12	AF2606033-14	Tread Only – Lower Step	S/N 0001-0308, B0001-B5425
13	AF2615055-1	Armrest	All C208/208B

GA8/GA8-TC AIRVAN CABIN TRIM

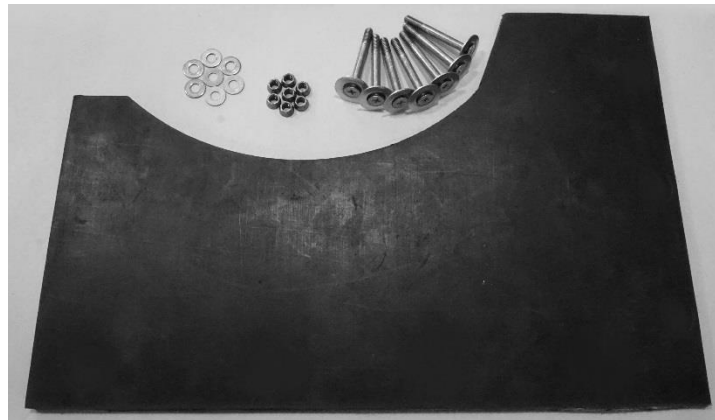
Part #	Description	Eligibility
GA8-TK1	CABIN TRIM KIT (ALL PIECES FOLLOWING)	GA8/GA8-TC 320
AF-GA8-252025-057	FORWARD CARPET RETAINER	GA8/GA8-TC 320
AF-GA8-252025-059	AFT CARPET RETAINER	GA8/GA8-TC 320
AF-GA8-252025-085	AFT CABIN DOOR TRIM	GA8/GA8-TC 320
AF-GA8-252056-131	SHELF VINYL RETAINER	GA8/GA8-TC 320



- Eligible for installation on all GA8/GA8-TC models
- Manufactured from stainless steel to replace the OEM aluminum parts for long lasting quality
- Extended parts to add protection to necessary areas
- FAA PMA Approved

GA8/GA8-TC AIRVAN GRAVEL DEFLECTORS

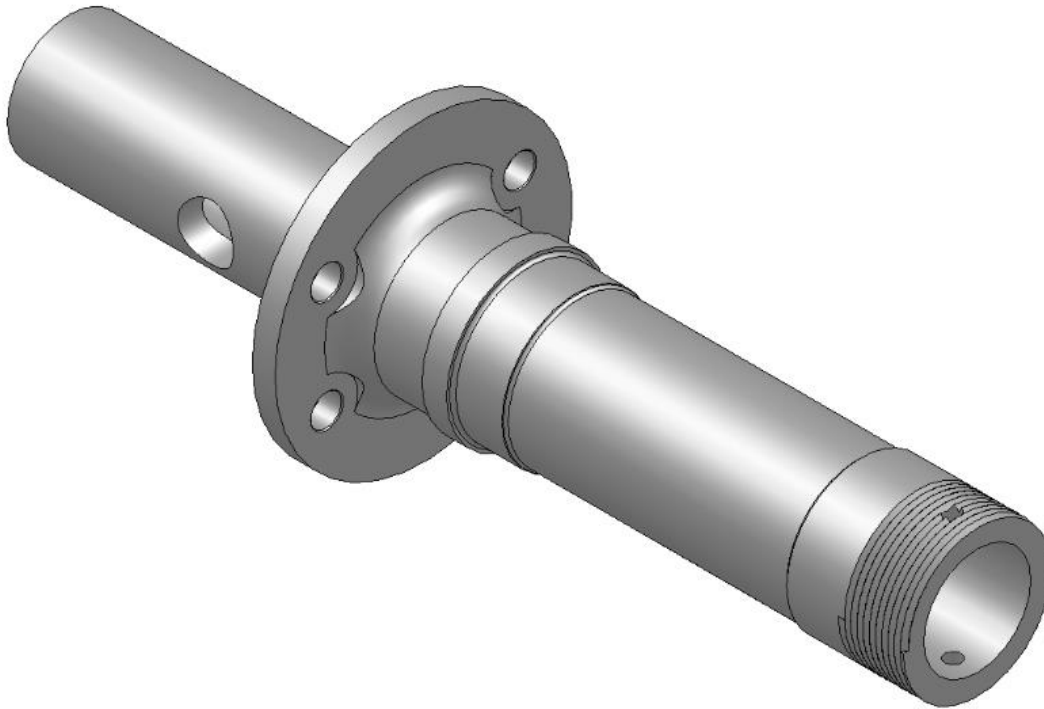
Part #	Description	Eligibility
AF32362-1	Gravel Deflector – LH Side	GA8/GA8-TC 320
AF32362-2	Gravel Deflector – RH Side	GA8/GA8-TC 320
AF32362-PAIR	Gravel Deflectors – LH & RH Side	GA8/GA8-TC 320



- Prevents “FOD” damage to empennage and lower fuselage
- High Strength Steel Frame for durability
- Powder coated to resist corrosion
- “Mudflap” made from 2-ply nylon reinforced rubber for long life
- All attachment hardware included
- No drilling required
- FAA PMA & STC Approved – STC is included free of charge with purchase of a pair of gravel deflectors

HELIO H-295 HIGH STRENGTH AXLE

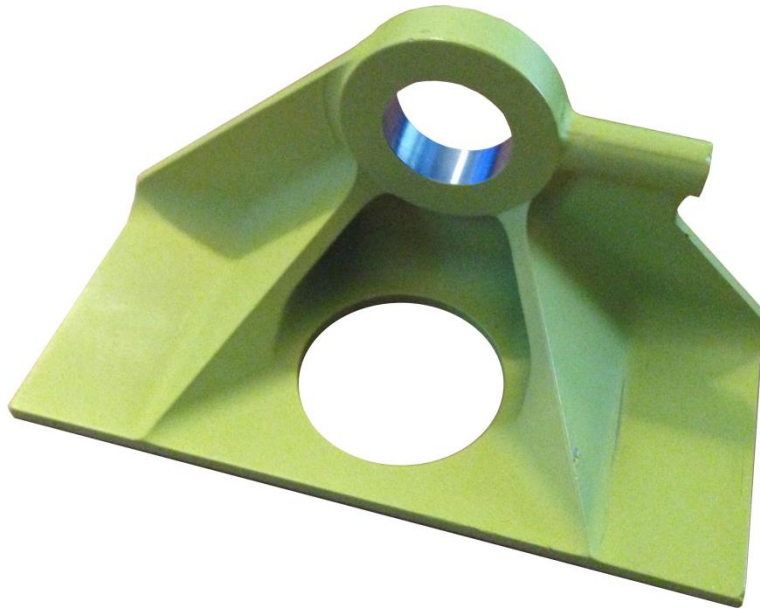
Part #	Description	Eligibility
AF250-040-495	AXLE, HIGH STRENGTH	All Helio model H-295



- Airforms P/N AF250-040-495
- Direct replacement for Helio P/N 250-040-495
- Eligible for all S/N aircraft, Helio model H-295 Courier
- Airforms part is manufactured from high strength material and machined from a single billet – torque plate on original part was welded.
- Precision fit – drop in replacement for the original part
- Accommodates wheel-ski installation
- Cadmium plated for increased durability
- FAA PMA Approved

HELIO H-295 HIGH STRENGTH STABILATOR BRACKETS

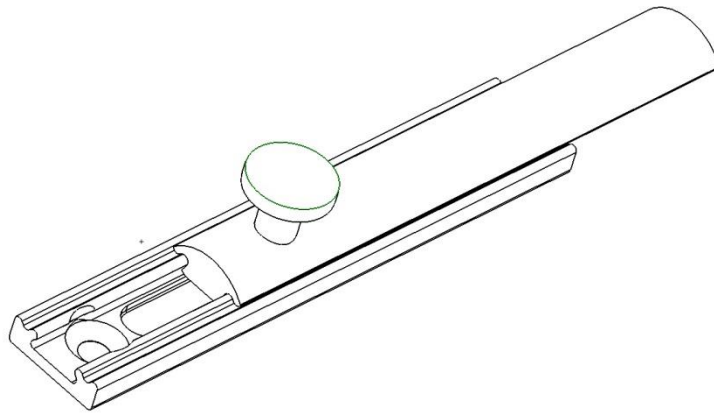
Part #	Description	Eligibility
AF391-022-401-2	HINGE, BOTTOM, LH	All Helio model H-295
AF391-022-401-3	HINGE, BOTTOM, RH	All Helio model H-295



- Airforms P/N AF391-022-401-2 (LH) and -3 (RH)
- Sold as a match-machined set
- Mounting holes match drilled to aircraft
- Direct replacement for Helio P/N 391-022-401-2 and -3
- Eligible for all S/N aircraft, Helio model H-295 Courier
- Airforms part is manufactured from high strength material and machined from a single billet – original part was of welded construction
- Precision fit – drop in replacement for the original part
- Mounting holes match drill at installation to ensure exact fit
- Cadmium plated and primed for increased durability
- FAA PMA Approved

PIPER PA-31 DOOR LATCH

Part #	Description	Eligibility
AF472-004	LATCH, CABIN DOOR	All Piper models PA-31(-310), -325, and -350



- Airforms P/N AF472-004, Door latch
- Direct replacement for Piper P/N 472-004 and 71188-02
- Eligible for all S/N aircraft, Piper model PA-31-310, -325, and -350 with standard cabin door
- Airforms part is machined from solid stainless steel using a high precision wire EDM process
- Improved strength and serviceability from original part – takes longer to wear, and does not deform after extended use
- Precision fit – drop in replacement for the original part
- FAA PMA Approved
- Ready for installation

ELIGIBILITY INDEX: CESSNA PMA APPROVED BAFFLES

Cessna 150



Eligibility:

150 1964-1970 Serial Numbers 15060088 thru 15072003
150 1971-1977 Serial Numbers 15072004 and on
A150 1971-1977 Serial Numbers A15000227 and on
F150 1971-1977 Serial Numbers F15000659 and on
FA150 1971-1977 Serial Numbers FA15000082 and on

Cessna 152



Eligibility:

152 1978-1979 Serial Numbers 15279406 thru 15283591
A152 1978-1979 Serial Numbers A1520735 thru A1520878
F152 1978-1979 Serial Numbers F15201429 thru F15201673
FA152 1978-1979 Serial Numbers FA1520337 thru FA1520357

152 1980-1982 Serial Numbers 15283592 thru 15285594
A152 1980-1982 Serial Numbers A1520879 thru A1521014
F152 1980-1982 Serial Numbers F15201674 thru F15201928
FA152 1980-1982 Serial Numbers FA1520358 thru FA1520382

Cessna 170 (A,B)

1949-1952



Eligibility:

170A Serial Numbers 18730 thru 20266
170B Serial Numbers 20267 thru 25372

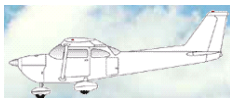
Cessna 170B 1953-1955



Eligibility:

170B Serial Numbers 25373 thru 27169

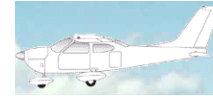
Cessna 172



Eligibility:

172A 1956-1960 Serial Numbers 28000 thru 36965
172 I,K,L,M Serial Numbers 17256513 thru 17261898
F172 I,K,L,M Serial Numbers F17200805 thru F17201034
172M 1974-1976 Serial Numbers 17261899 thru 17267584
F172M 1974-1976 Serial Numbers F17201035 thru F17201514
172N Serial Numbers 17267585 thru 17274009
F172N Serial Numbers F17201515 thru F17202039
172P Serial Numbers 17274010 thru 17276673
F172P Serial Numbers F17202040 and on
172R 1997-1998 Serial Numbers 17280001 thru 17280697
172R 1999-2004 Serial Numbers 17280698 thru 17281233
172S 1998-2004.5 Serial Numbers 172S8001 thru 172S9770
172RG 1979-1985 Serial Numbers 0001 thru 0817, 0891 thru 1191

Cessna 177



Eligibility:

177 Serial Numbers 00001 thru 01164, 01774 thru 02123
177RG Serial Numbers 0593 thru 1366, 0491

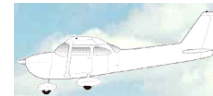
Cessna 180



Eligibility:

Serial Numbers 32151 thru 53203

Cessna 182



Eligibility:

182 1958-1973 Serial Numbers 18234754 thru 18262465
182 1974-1985 Serial Numbers 18262466 thru 18268542
182 1974-1976 Serial Numbers 18262466 thru 65175
F182 1974-1976 Serial Numbers F18200001 thru F18200025
182 1977-1985 Serial Numbers 18265176 thru 68542
F182 1977-1985 Serial Numbers F18200026 thru F18200169

Cessna 185



Eligibility:

All Serial Numbers

Cessna 206



Eligibility:

206 1965-1975 Serial Numbers 206-0657 thru 206-1604
P206 1965-1970 Serial Numbers P206-0001 thru P20600647
U206 1974-1986 Serial Numbers U20602200 thru U20607020

Cessna 207



Eligibility:

207 1965-1975 Serial Numbers 2070001 thru 20700268

Cessna 210



Eligibility:

210L, M, N Serial Numbers 21061040 thru 21064135
210 1970-73 Serial Numbers 21059200 thru 21060089

Cessna 402C, 414A

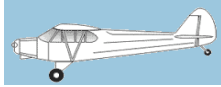


Eligibility:

402C All Serial Numbers
414A All Serial Numbers

ELIGIBILITY INDEX: PIPER PMA APPROVED BAFFLES

PA-18-150



Eligibility:
Serial Numbers: 18-3781 thru 1809079 and 1809088,
1809100, 1809113

PA-22-150



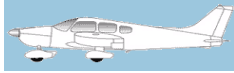
Eligibility:
Serial Numbers: 22-2425 thru 22-7630

PA-28-140 1964-71.5



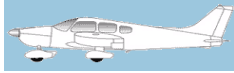
Eligibility:
Serial Numbers: 28-20002 thru 28-7125471

PA-28-161 Warrior



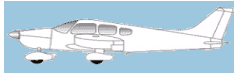
Eligibility:
Serial Numbers: All

PA-28-180



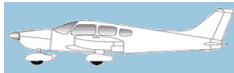
Eligibility
1965-72.5 Serial Numbers: 28-1761 thru 28-7205091
1972.5-75 Serial Numbers: 28-7205092 thru 28-7505259

PA-28-181 Archer II



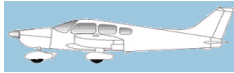
Eligibility:
Serial Numbers: 28-8090001 and on

PA-28-181 Archer III



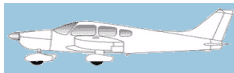
Eligibility:
Serial Numbers: 2843001 and on

PA-28-R200/201



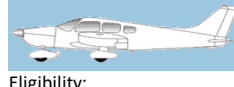
Eligibility:
PA28R-200 Serial Numbers: 28R-35001 thru 28R-35820,
28R-7135001 thru 28R-7135229
PA28R-201 Serial Numbers: 28R-7737002 thru 28R-7837317,
2837001 thru 2837061, 2844001 and on

PA-28-235



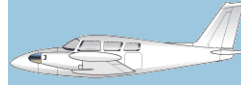
Eligibility:
Serial Numbers: 28-10003 thru 28-7210033

PA-28-236



Eligibility:
Serial Numbers: 28-7911001 through 28-8611008;
2811001 through 2811050; and 2845001 and up

PA-30



Eligibility:
Serial Numbers: 30-542 thru 30-1744 excluding 1717

PA-31-310



Eligibility:
Serial Numbers: 31-2 thru 31-822031

PA-31-325/350



Eligibility:
325 Navajo Serial Numbers: 31-7512001 thru 31-8312019
350 Chieftian Serial Numbers: 31-7305001 thru 31-8553002

PA-32-260



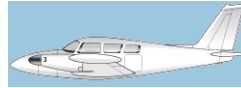
Eligibility:
PA-32-260 (1965 - 1968.5) Serial Numbers: 32-1 thru 32-1033
PA-32-260 (1968.5 - 1978) Serial Numbers: 32-1034 and on

PA-32-300



Eligibility:
PA32-300 Serial Numbers: 32-7640072 thru 32-7940290

PA-39



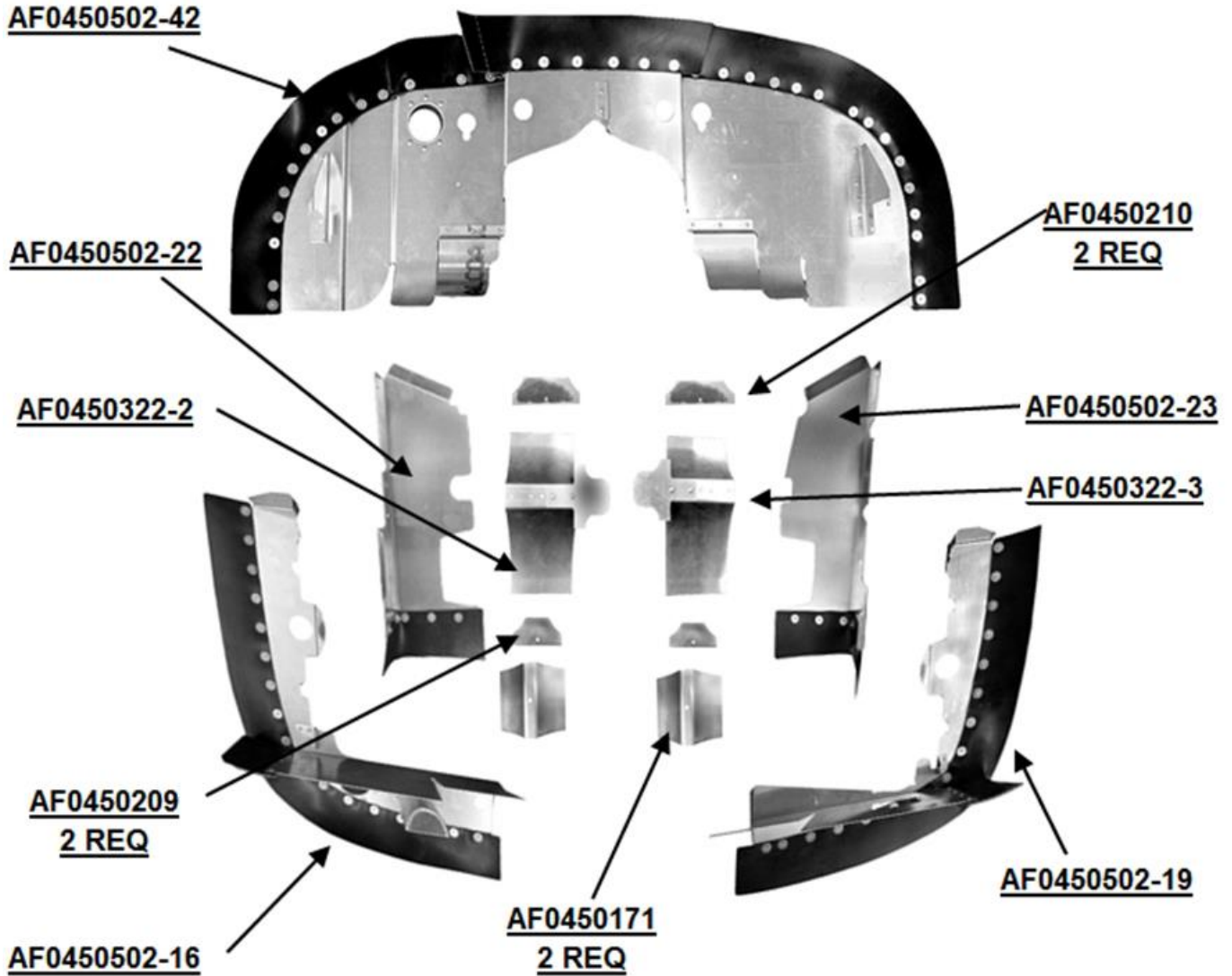
Eligibility:
Serial Numbers: 39-1 thru 39-155

PA-44-180



Eligibility:
Serial Numbers: 44-7995001 and on

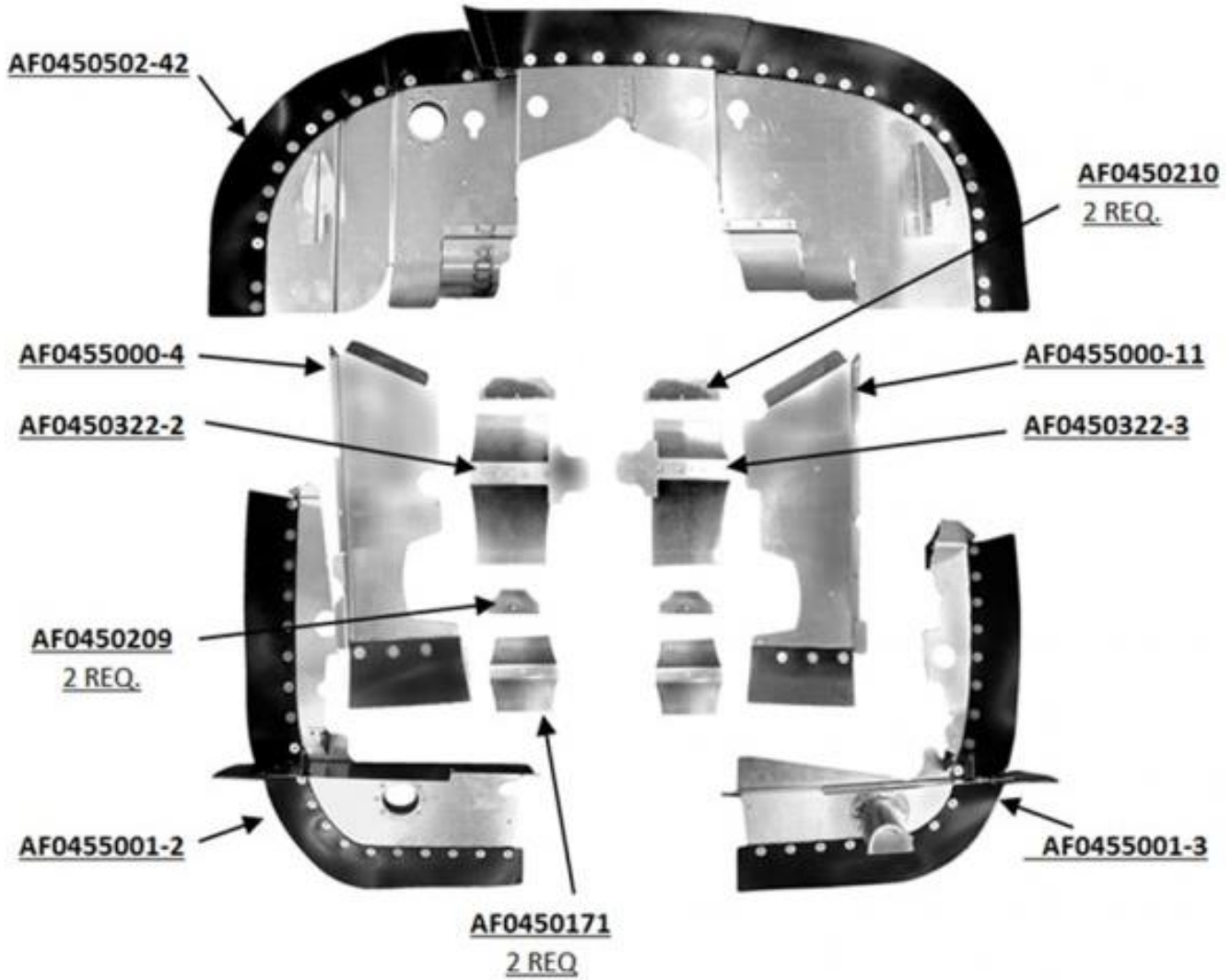
**FAA PMA ENGINE Baffles for Cessna Aircraft
 CESSNA 150 (1964-1970)**



Eligibility: 150 S/N 150-60088 thru 72003	
Kit Part Number	Description
C150-6470BRBK	Cessna 150 Bare Aluminum Full Set with Black Seals
C150-6470PCBK	Cessna 150 Powder Coated Full Set with Black Seals
C150-6470SBK	Cessna 150 1964-70 Seal Kit Black (Airforms' seal replacements)

[Orange and blue seals are available at an additional cost.]

**FAA PMA ENGINE Baffles for Cessna Aircraft
 CESSNA 150 (1971-1977)**

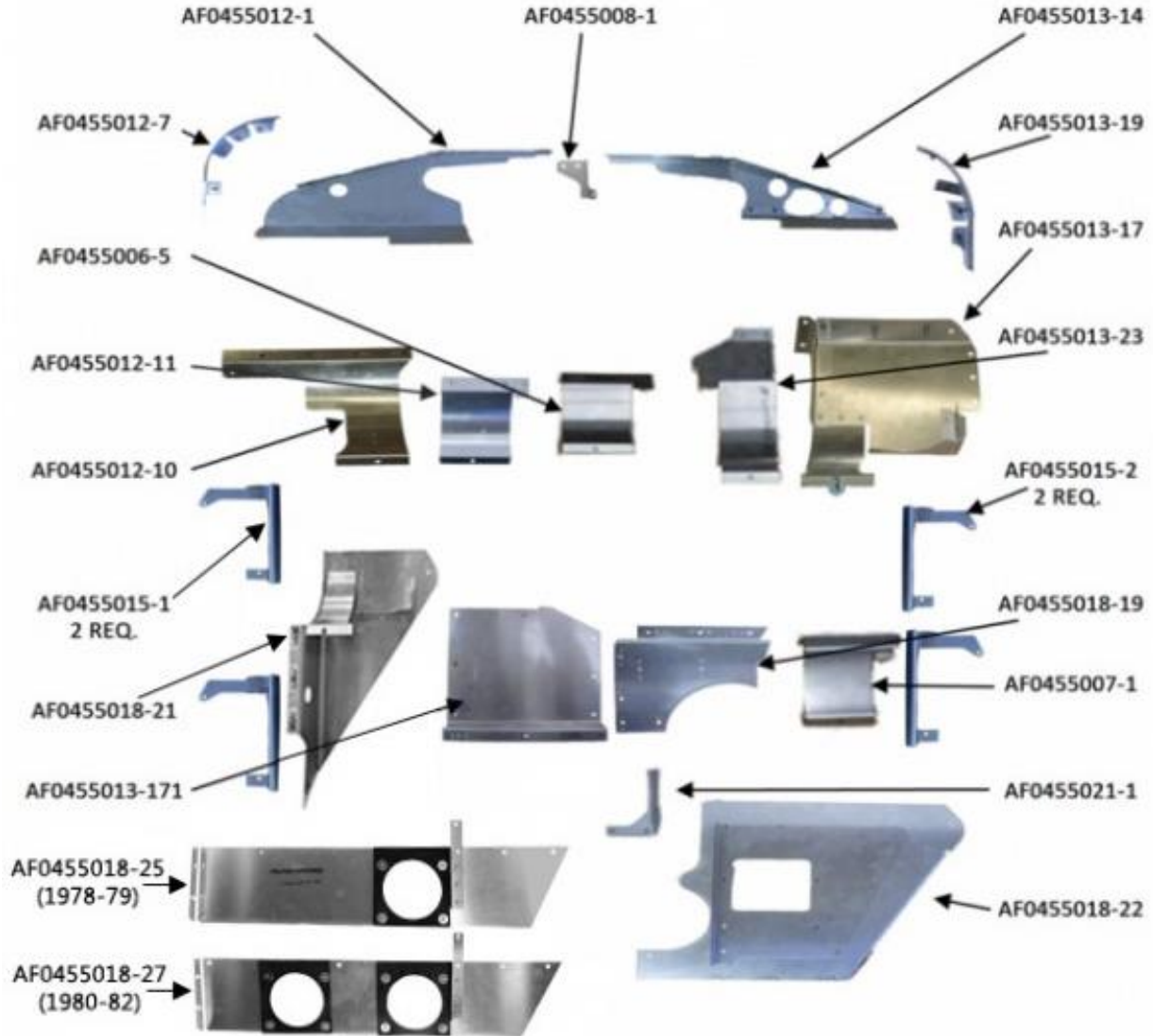


Eligibility: 150 S/N 150-72004 & on, A150-00227 & on, F150-00659 & on, FA150-00082 & on	
Kit Part Number	Description
C150-7177BRBK	Cessna 150B Bare Aluminum Full Set with Black Seals
C150-7177PCBK	Cessna 150B Powder Coated Full Set with Black Seals
C150-7177SBK	Cessna 150 1971-77 Seal Kit Black (Airforms' seal replacements)

[Orange and blue seals are available at an additional cost.]

**FAA PMA ENGINE Baffles for Cessna Aircraft
 CESSNA 152 (1978-1982)**

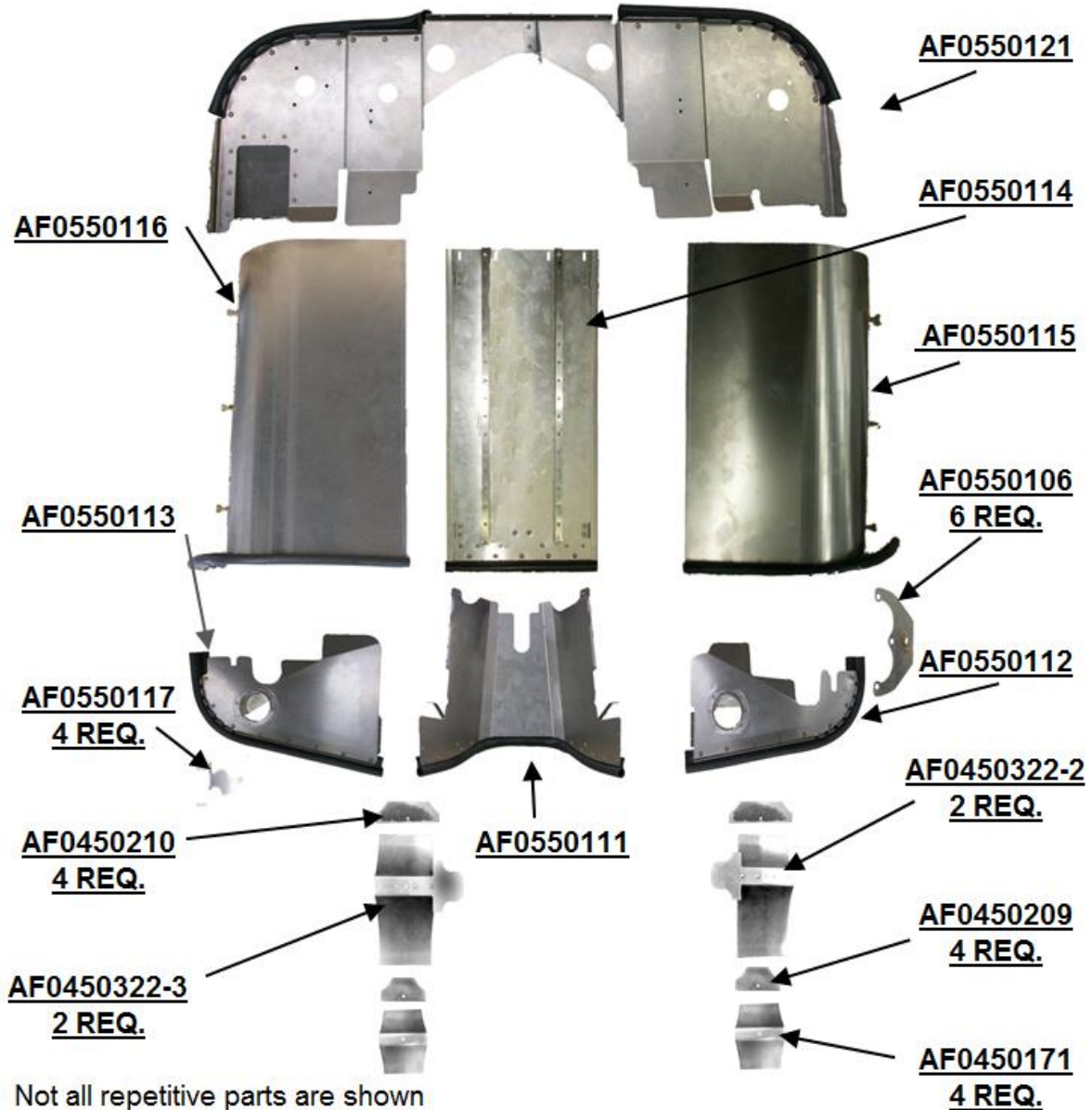
(Complete Baffle Sets & Seal Kits come with Cowling Seals)



<p>Eligibility: 1978 - 1979 S/N 152-79406 thru 83591 S/N A152-0735 thru 0878 S/N F152-01429 thru 01673 S/N FA152-0337 thru 0357</p>		<p>Eligibility: 1980 - 1982 S/N 152-83592 thru 85594 S/N A152-0879 thru 1014 S/N F152-01674 thru 01928 S/N FA152-0358 thru 0382</p>	
Kit Part Number	Description	Kit Part Number	Description
C152-7879BRBK	C152 Bare Aluminum Set with Black Seals	C152-8082BRBK	C152 Late Bare Aluminum with Black Seals
C152-7879PCBK	C152 Powder Coated Set with Black Seals	C152-8082PCBK	C152 Late Powder Coated with Black Seals
C152-7879SBK	C152 Seal Kit Black (Airforms replacements)	C152-8082SBK	C152 Seal Kit Black (Airforms replacements)

[Orange and blue seals are available at an additional cost.]

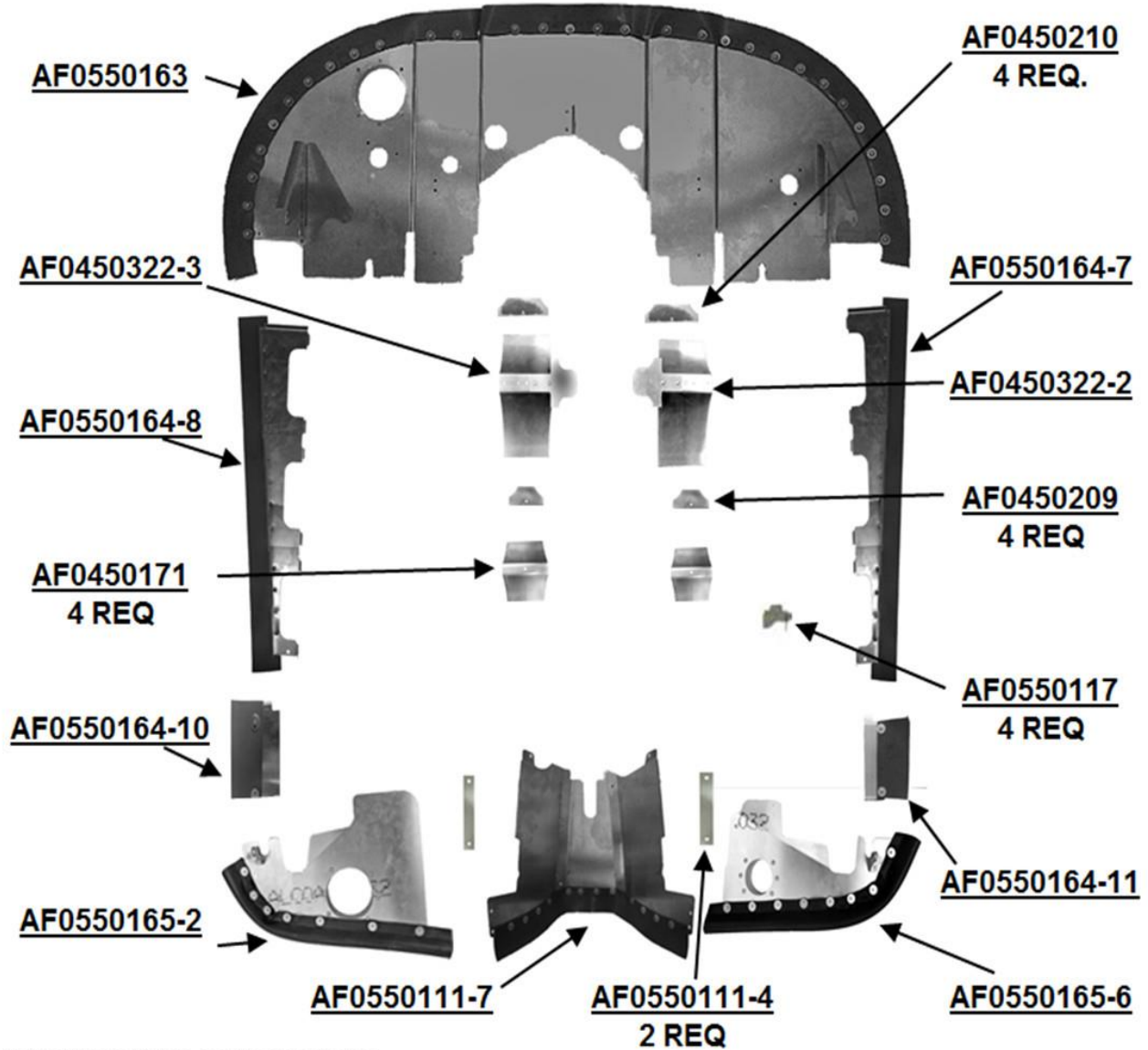
**FAA PMA ENGINE Baffles for Cessna Aircraft
 CESSNA 170A / B (1949 – 1952)**



Eligibility: 170A S/N 18730 THRU 20266, 170B S/N 20267 thru 25372	
Kit Part Number	Description
C170-4952BRBK	Cessna 170 A & 170 B-Early Bare Aluminum Full Set with Black Seals
C170-4952PCBK	Cessna 170 A & 170 B-Early Powder Coated Full Set with Black Seals
C170-4952SBK	Cessna 170 A & 170 B-Early Seal Kit Black (Airforms' seal replacements)

[Orange and blue seals are available at an additional cost.]

**FAA PMA ENGINE Baffles for Cessna Aircraft
 CESSNA 170B (1953-56) – 172 (1956-58)**

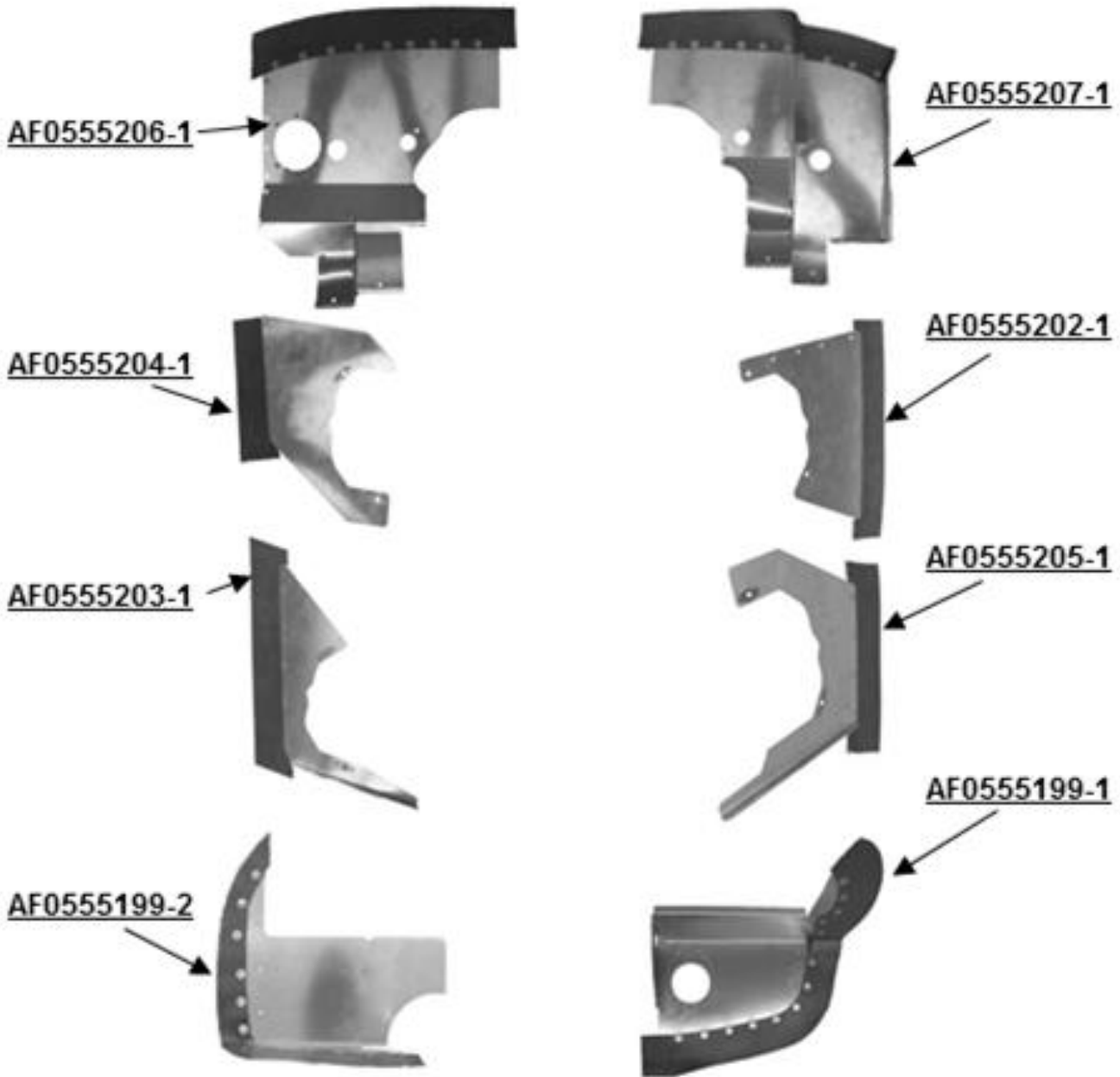


Not all repetitive parts are shown

Eligibility: 170B (1953-56) S/N 25373 & on, 172 (1956-58) S/N 28000 thru 36965	
Kit Part Number	Description
C170B172-BRBK	Cessna 170B (53-56) & 172 (56-58) Bare Aluminum Full Set with Black Seals
C172B172-PCBK	Cessna 170B (53-56) & 172 (56-58) Powder Coated Full Set with Black Seals
C172B172-SBK	Cessna 170B (53-56) & 172 (56-58) Seal Kit Black (Airforms' seal replacements)

[Orange and blue seals are available at an additional cost.]

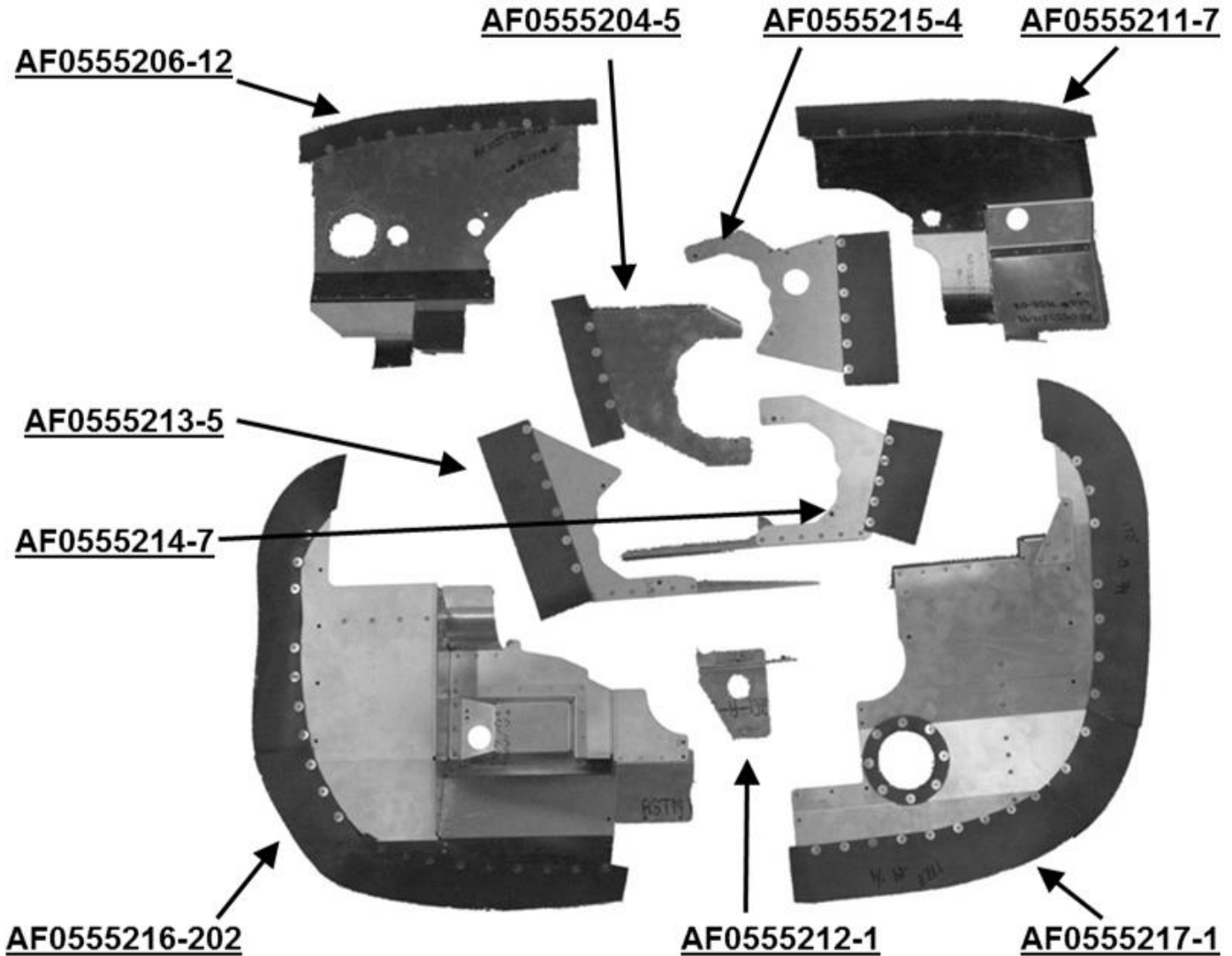
**FAA PMA ENGINE Baffles for Cessna Aircraft
 CESSNA 172 I, K, L (1968-1972) Early M (1973)**



Eligibility: 172 S/N 172-56513 thru 61898 F172 S/N F172-00805 thru 01034	
Kit Part Number	Description
C172IKL68-M73-BRBK	Cessna 172 I, K, L, M Bare Aluminum Full Set with Black Seals
C172IKL68-M73-PCBK	Cessna 172 I, K, L, M Powder Coated Full Set with Black Seals
C172IKL68-M73-SBK	Cessna 172 I, K, L, M Seal Kit Black (Airforms' seal replacements)

[Orange and blue seals are available at an additional cost.]

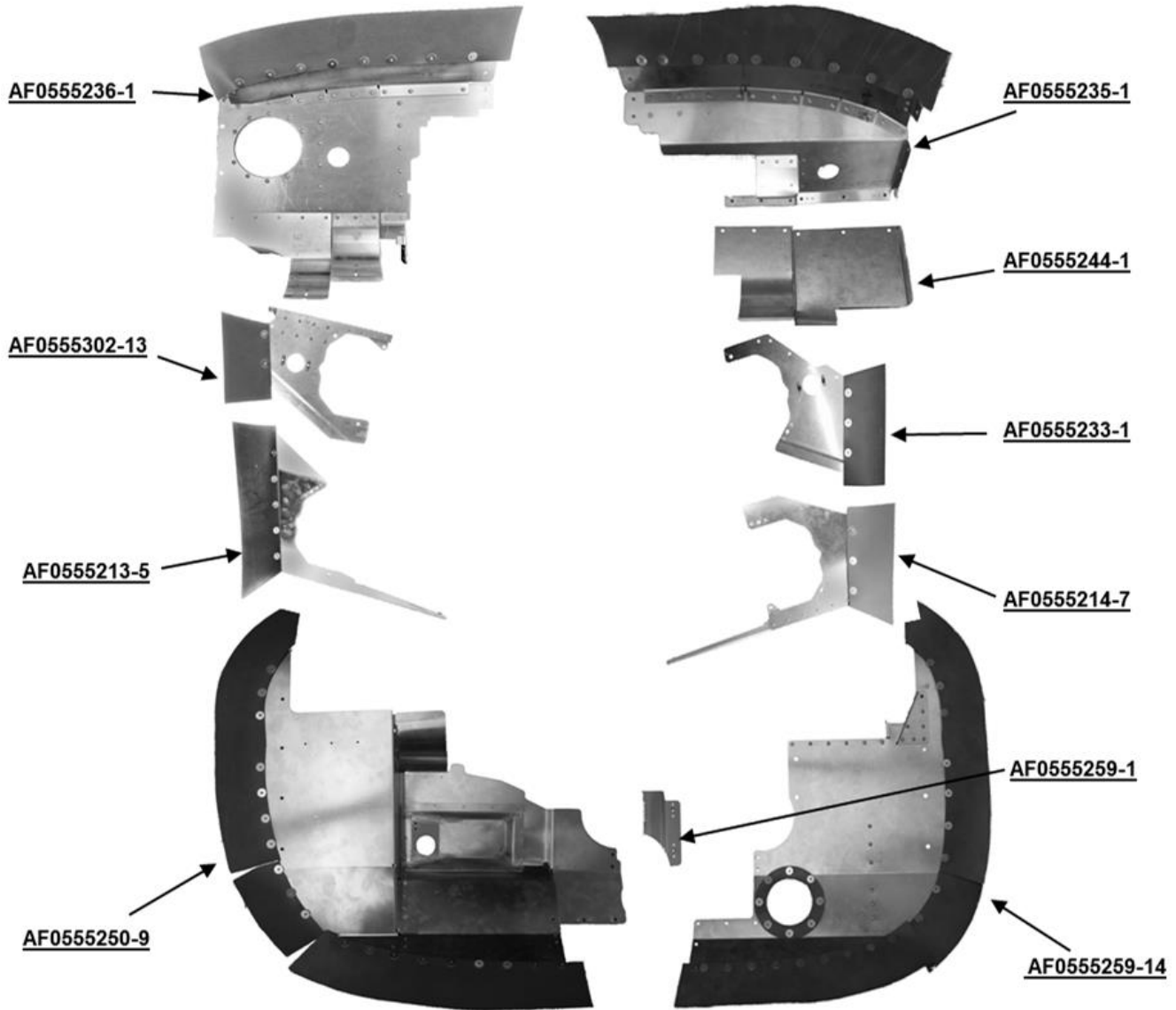
**FAA PMA ENGINE Baffles for Cessna Aircraft
 CESSNA 172M (1974 – 1976)**



Eligibility: 172M S/N 172-61899 thru 67584, F172M S/N F172-01035 thru 01514	
Kit Part Number	Description
C172M-7476BRBK	Cessna 172M Bare Aluminum Full Set with Black Seals
C172M-7476PCBK	Cessna 172M Powder Coated Full Set with Black Seals
C172M-7476SBK	Cessna 172M Seal Kit Black (Airforms' seal replacements)

[Orange and blue seals are available at an additional cost.]

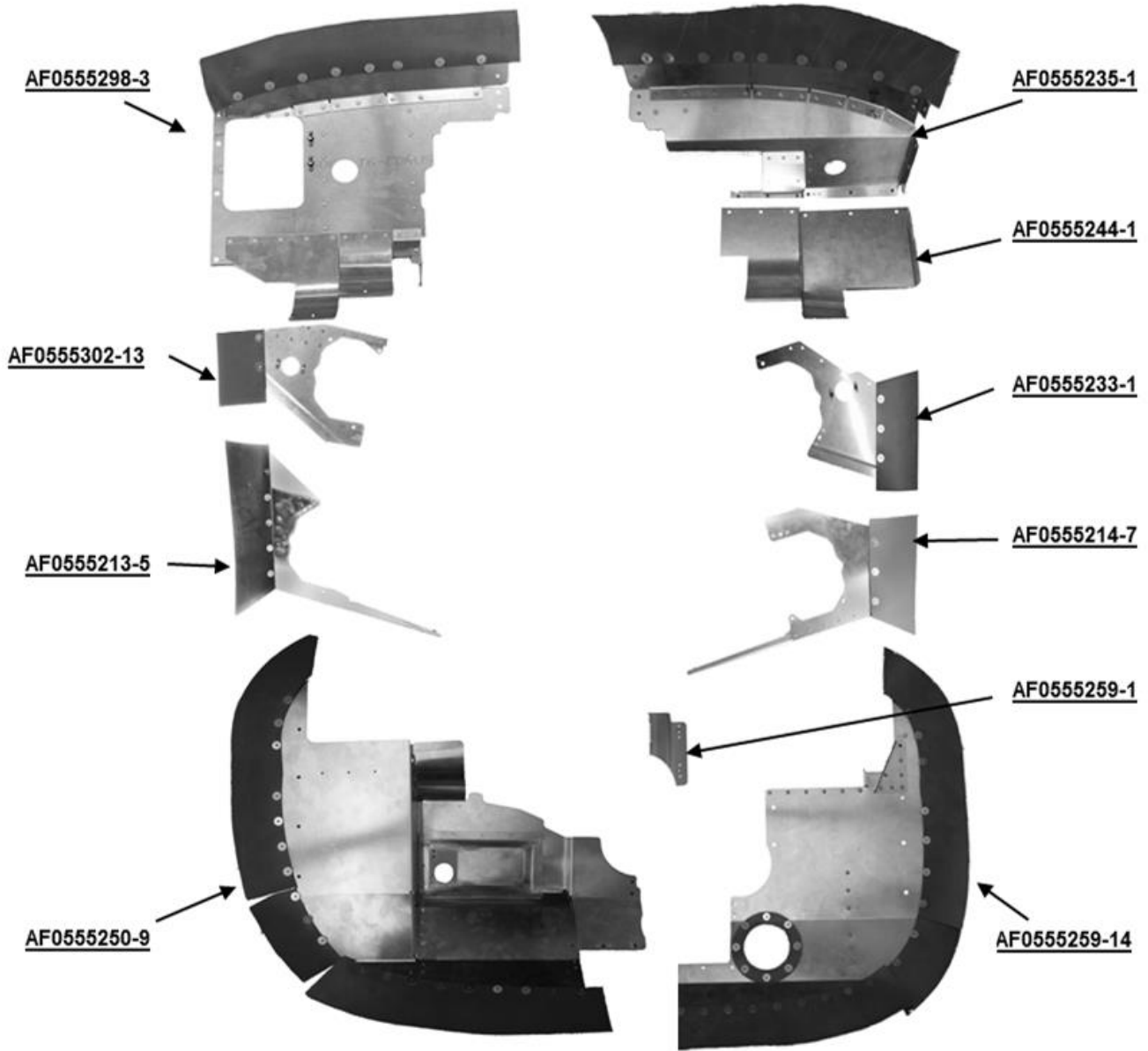
**FAA PMA ENGINE Baffles for Cessna Aircraft
 CESSNA 172N 1977 - 1979.5**



Eligibility: 172N S/N 172-67585 thru 71953, F172N S/N F17201515 thru F17201909	
Kit Part Number	Description
C172N-77795BRBK	Cessna 172N 1977-1979.5 Bare Aluminum Full Set with Black Seals
C172N-77795PCBK	Cessna 172N 1977-1979.5 Powder Coated Full Set with Black Seals
C172N-77795SBK	Cessna 172N 1977-1979.5 Seal Kit Black (Airforms' seal replacements)

[Orange and blue seals are available at an additional cost.]

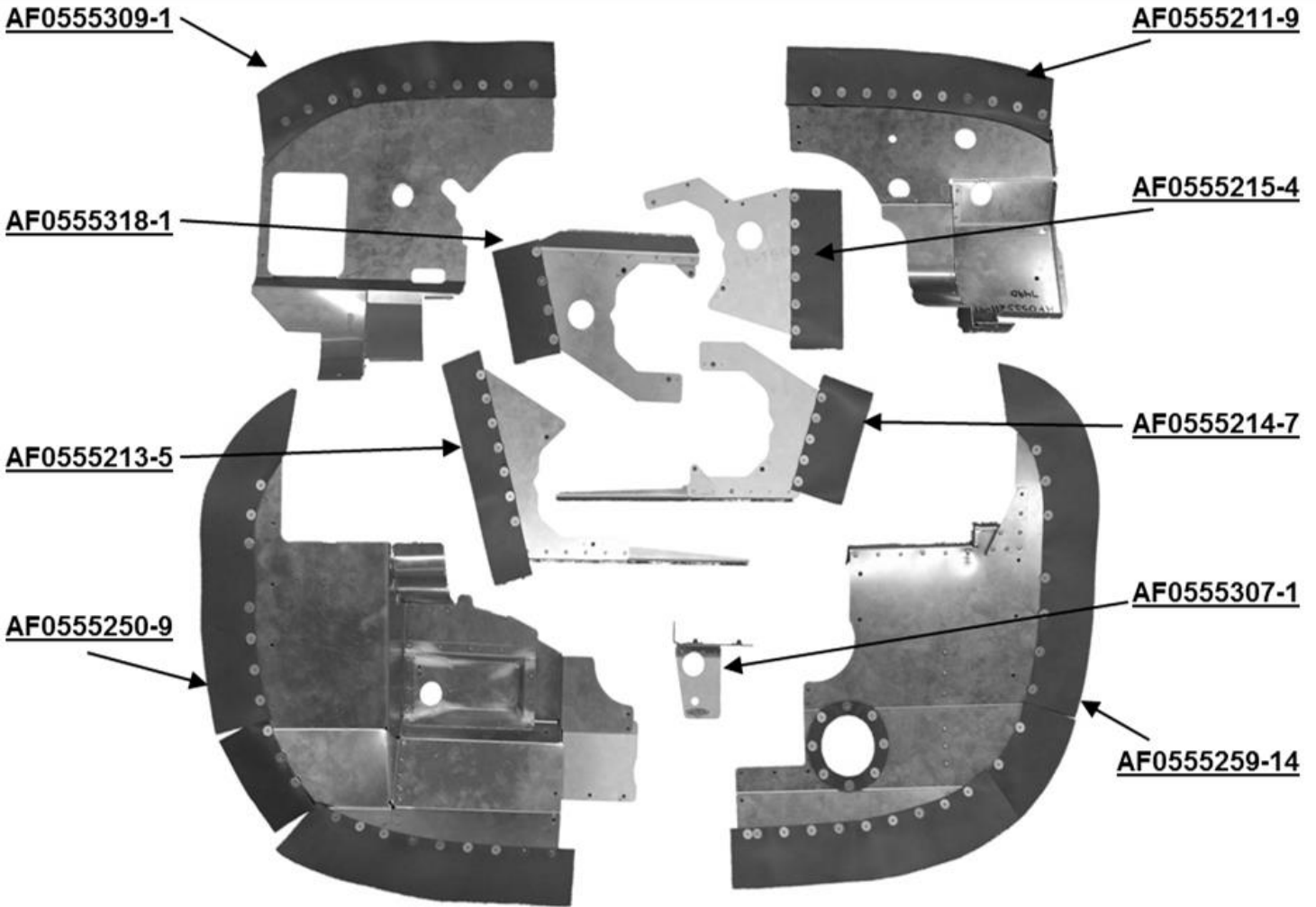
**FAA PMA ENGINE Baffles for Cessna Aircraft
 CESSNA 172N (1979.5 – 1980)**



Eligibility: 172N S/N 172-71954 thru 74009, F172N S/N F172-01910 thru 02039	
Kit Part Number	Description
C172N-79580BRBK	Cessna 172 N 1979.5-80 Bare Aluminum Full Set with Black Seals
C172N-79580PCBK	Cessna 172 N 1979.5-80 Powder Coated Full Set with Black Seals
C172N-79580SBK	Cessna 172 N 1979.5-80 Seal Kit Black (Airforms' seal replacements)

[Orange and blue seals are available at an additional cost.]

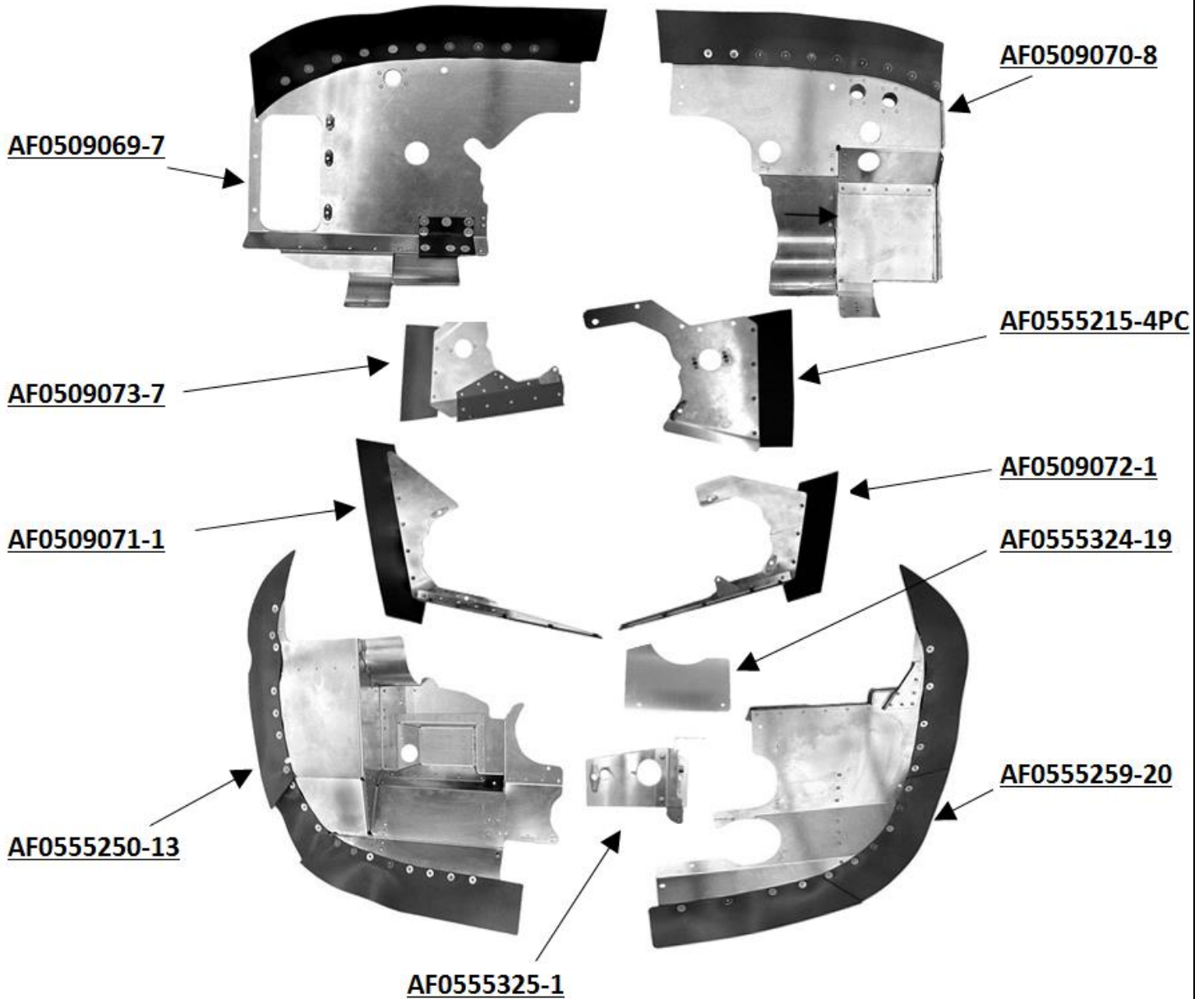
**FAA PMA ENGINE Baffles for CESSNA AIRCRAFT
 CESSNA 172P**



Eligibility: 172P S/N 172-74010 thru 76673, F172P S/N F172-02040 and on	
Kit Part Number	Description
C172P-BRBK	Cessna 172P Bare Aluminum Full Set with Black Seals
C172P-PCBK	Cessna 172P Powder Coated Full Set with Black Seals
C172P-SBK	Cessna 172P Seal Kit Black (Airforms' seal replacements)

[Orange and blue seals are available at an additional cost.]

**FAA PMA ENGINE Baffles for Cessna Aircraft
 CESSNA 172R (1997-1998)**

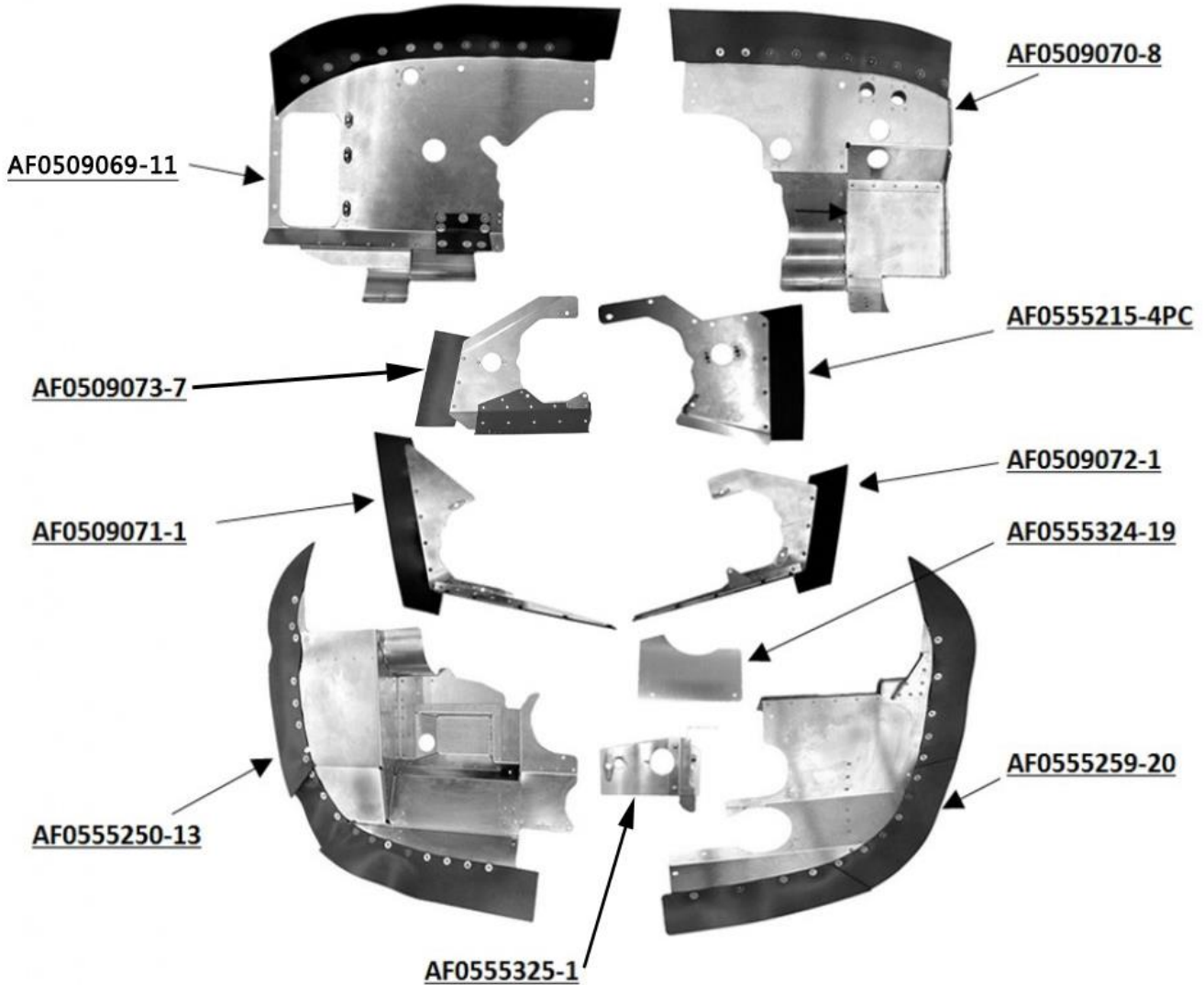


NOTE: Powder coated grey (only) to match original baffles.

Eligibility: 172R 1997-1998 S/N 172-80001 thru 80697	
Kit Part Number	Description
C172R-9798PCBK	Cessna 172R Powder Coated Full Set with Black Seals
C172R-9798SBK	Cessna 172R Seal Kit Black (Airforms' seal replacements)

[Orange and blue seals are available at an additional cost.]

**FAA PMA ENGINE Baffles for Cessna Aircraft
 CESSNA 172R (1999-2004)**



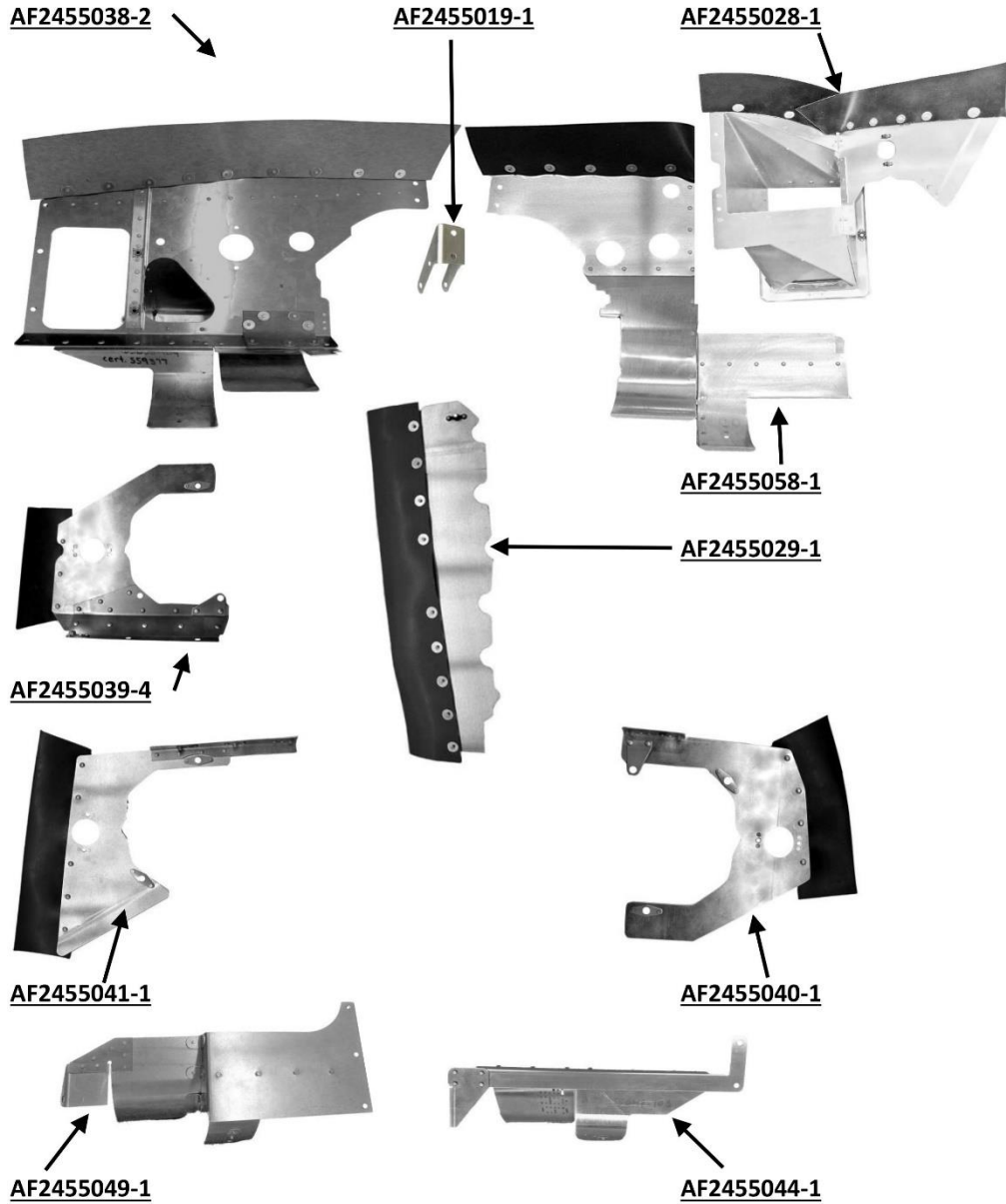
NOTE: Powder coated grey (only) to match original baffles.

Eligibility: 172R 1999-2004 S/N 172-80698 thru 81233	
Kit Part Number	Description
C172R-9904PCBK	Cessna 172R Powder Coated Full Set with Black Seals
C172R-9904SBK	Cessna 172R Seal Kit Black (Airforms' seal replacements)

[Orange and blue seals are available at an additional cost.]

FAA PMA ENGINE Baffles for Cessna Aircraft

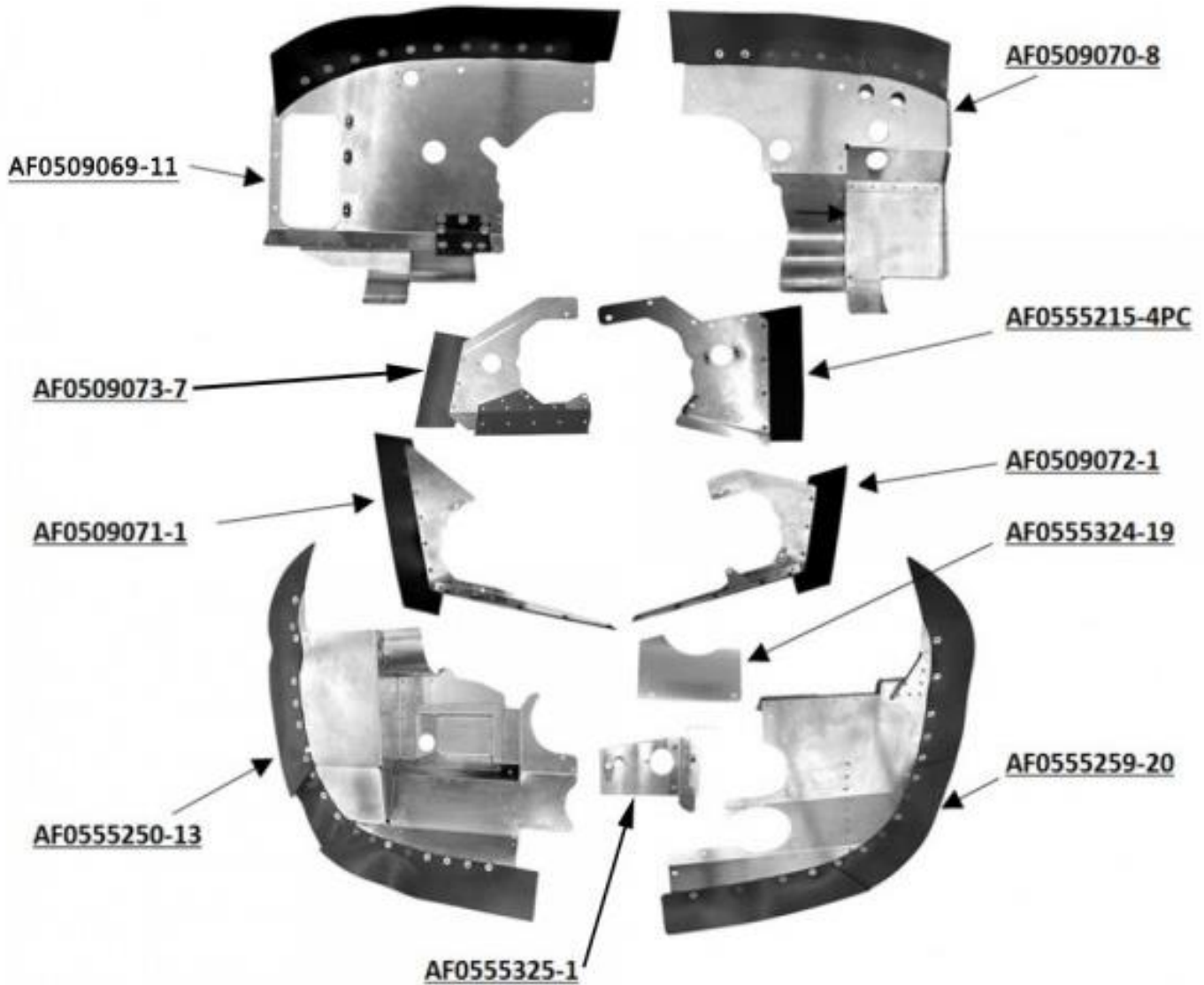
CESSNA 172RG (1979-1985)



Eligibility: S/N 172RG0001 – 0817, 0891 - 1191	
Kit Part Number	Description
C172RGBRBK	Cessna 172RG Full Set with Black Seals
C172RGPCBK	Cessna 172RG Powder Coated Full Set with Black Seals
C172RGSBK	Cessna 172RG Seal Kit Black (Airforms' seal replacements)

[Orange and blue seals are available at an additional cost.]

**FAA PMA ENGINE Baffles for Cessna Aircraft
 CESSNA 172S (1998 – 2004.5)**

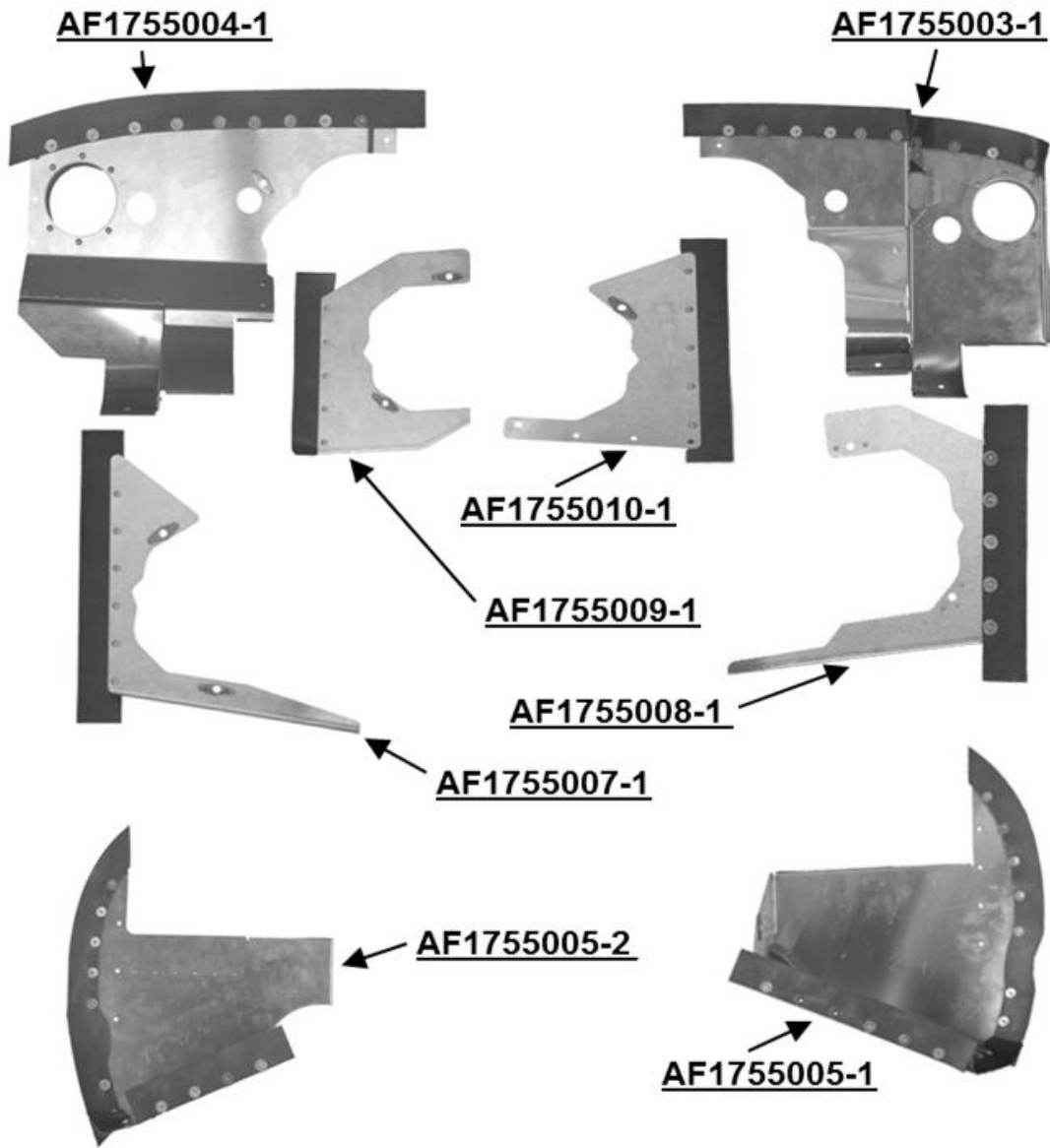


NOTE: Powder coated grey (only) to match original baffles.

Eligibility: 172S 1998-2004.5 S/N 172S-8001 thru 9770	
Kit Part Number	Description
C172S-98045PCBK	Cessna 172S Powder Coated Full Set with Black Seals
C172S-98045SBK	Cessna 172S Seal Kit Black (Airforms' seal replacements)

[Orange and blue seals are available at an additional cost.]

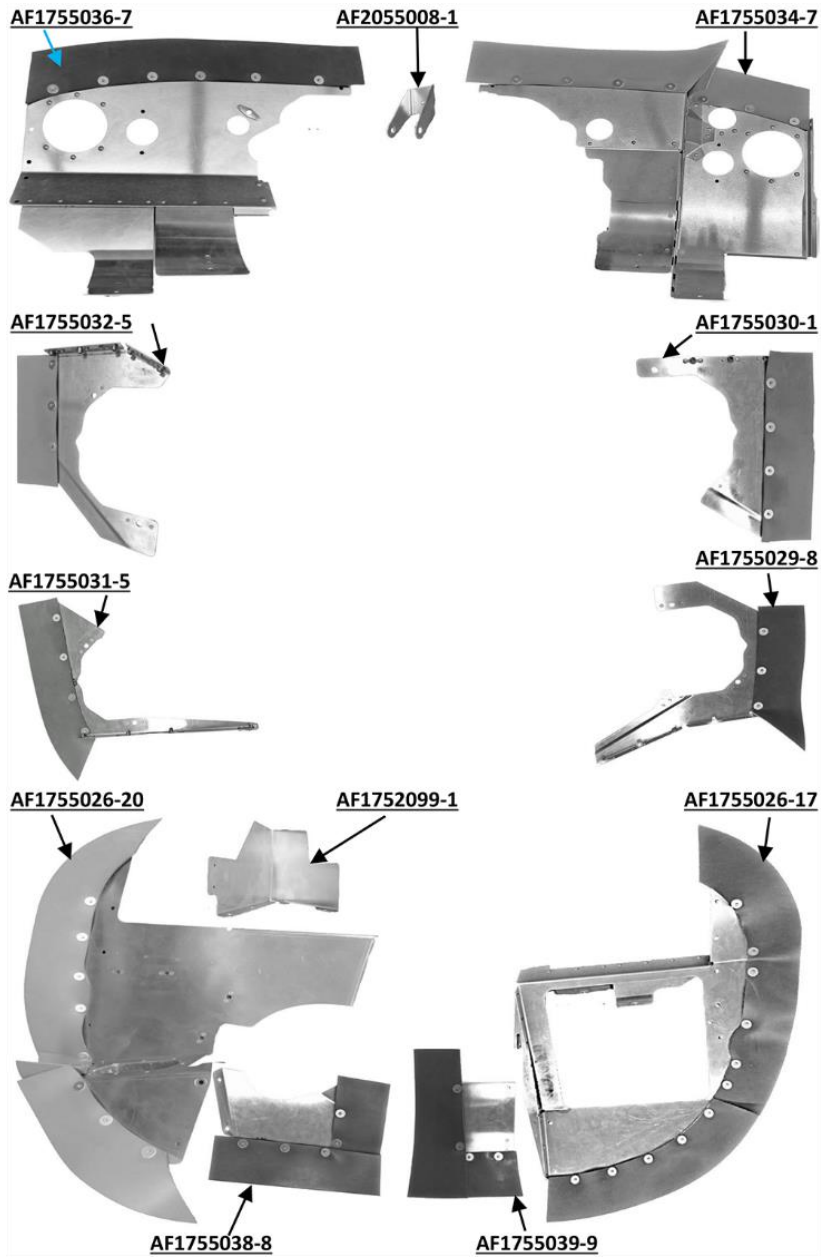
**FAA PMA ENGINE Baffles for Cessna Aircraft
 CESSNA 177 (1968)**



Eligibility: 177 S/N 177-00001 Thru 01164	
Kit Part Number	Description
C177-68BRBK	Cessna 177 1968 Full Set with Black Seals
C177-68PCBK	Cessna 177 1968 Powder Coated Full Set with Black Seals
C177-68SBK	Cessna 177 1968 Seal Kit Black (Airforms' seal replacements)

[Orange and blue seals are available at an additional cost.]

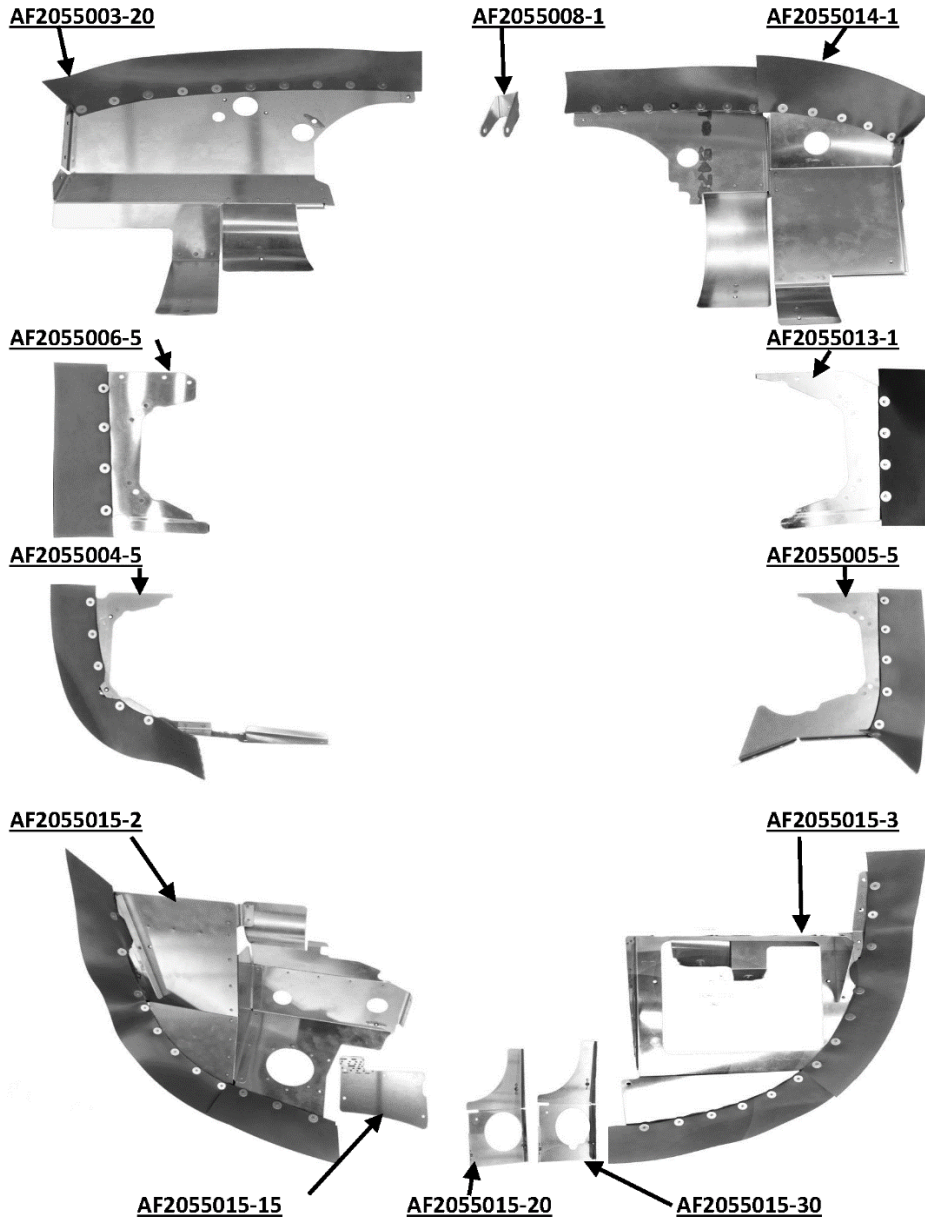
**FAA PMA ENGINE Baffles for Cessna Aircraft
 CESSNA 177 (1973-1974)**



Eligibility: 177 S/N 177-01774 Thru 02123	
Kit Part Number	Description
C177-7374BRBK	Cessna 177-7374 Full Set with Black Seals
C177-7374PCBK	Cessna 177-7374 Powder Coated Full Set with Black Seals
C177-7374SBK	Cessna 177-7374 Seal Kit Black (Airforms' seal replacements)

[Orange and blue seals are available at an additional cost.]

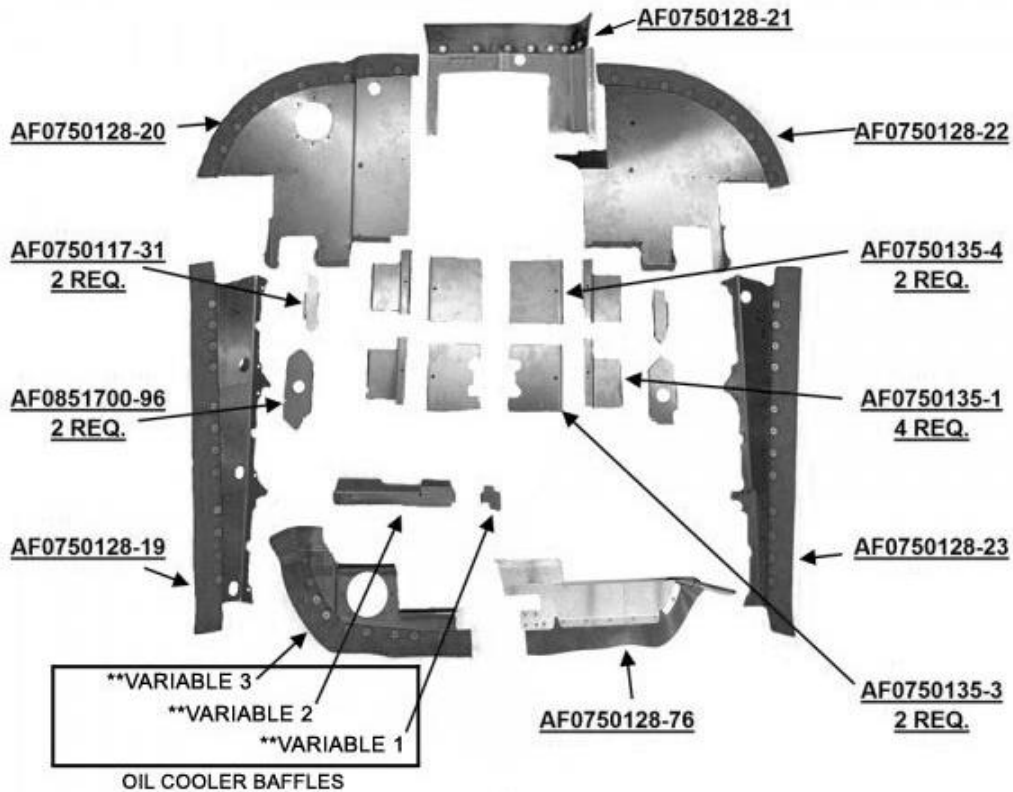
**FAA PMA ENGINE Baffles for Cessna Aircraft
 CESSNA 177RGII (1975-1978)**



Eligibility: 177RG0593 – 1366, 0419	
Kit Part Number	Description
C177RG-7578BRBK	Cessna 177RG-7578 Full Set with Black Seals
C177RG-7578PCBK	Cessna 177RG-7578 Powder Coated Full Set with Black Seals
C177RG-7578SBK	Cessna 177RG-7578 Seal Kit Black (Airforms' seal replacements)

[Orange and blue seals are available at an additional cost.]

**FAA PMA ENGINE Baffles for Cessna Aircraft
 CESSNA 180 (1956-1981) / 182 (1958-1973)**



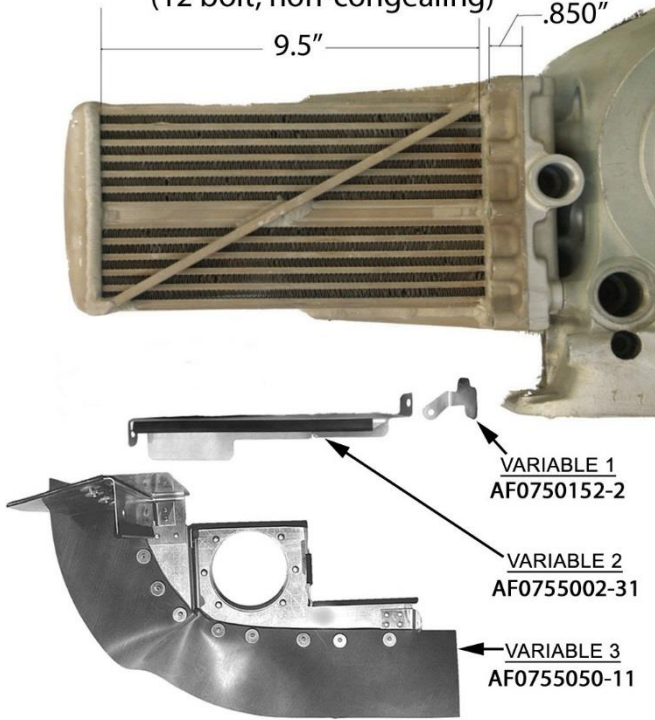
**Oil cooler baffles vary in size. To select which oil cooler package is most appropriate for your application, see P/N's and measurements on the images below.
 Note: You can also view your illustrated parts catalog if you have a standard oil cooler.

Eligibility: 180 S/N 32151 thru 53203 182 S/N 18234754 thru 18262465	
Bare Aluminum Complete Set	
Kit Part Number	Description
C180182BRBKPKGA	Cessna 180-182 Bare Aluminum Full Set w/Package A with Black Seals
C180182BRBKPKGB	Cessna 180-182 Bare Aluminum Full Set w/Package B with Black Seals
C180182BRBKPKGC	Cessna 180-182 Bare Aluminum Full Set w/Package C with Black Seals
C180182BRBKPKGD	Cessna 180-182 Bare Aluminum Full Set w/Package D with Black Seals
Powder Coated Aluminum Complete Set	
Kit Part Number	Description
C180182PCBKPKGA	Cessna 180-182 Powder Coated Full Set w/Package A with Black Seals
C180182PCBKPKGB	Cessna 180-182 Powder Coated Full Set w/Package B with Black Seals
C180182PCBKPKGC	Cessna 180-182 Powder Coated Full Set w/Package C with Black Seals
C180182PCBKPKGD	Cessna 180-182 Powder Coated Full Set w/Package D with Black Seals
Silicone Seal Kit Only	
Kit Part Number	Description
C180182SBK	Cessna 180-182 Seal Kit Black (Airforms' seal replacements)

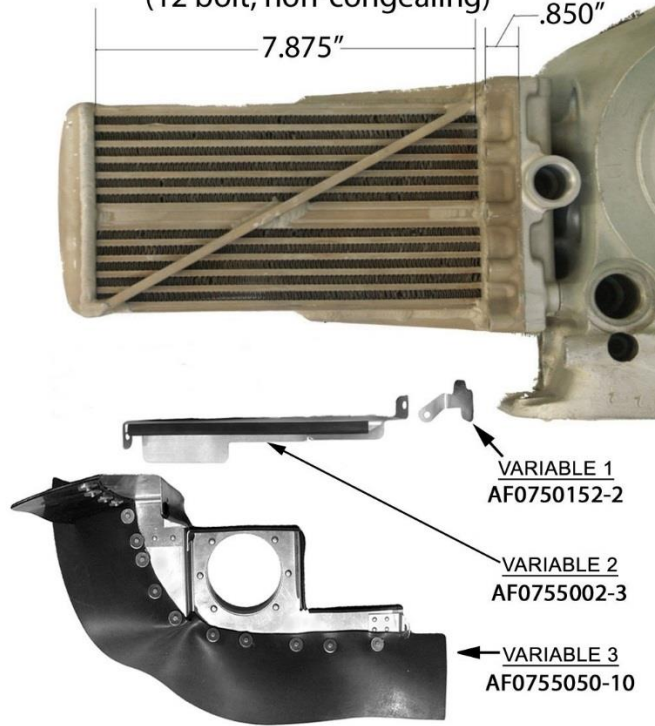
[Orange and blue seals are available at an additional cost.]

CESSNA 180 (1956-1981) / 182 (1958-1973) Oil Cooler Options

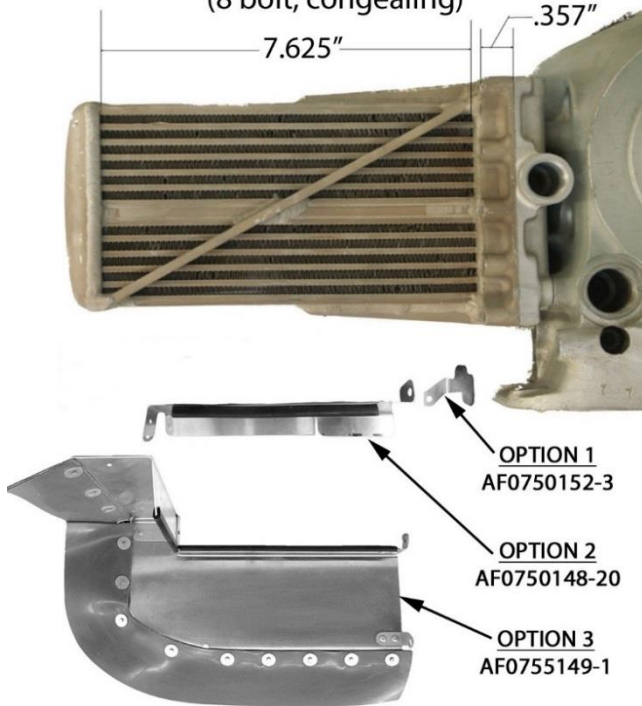
OIL COOLER PACKAGE A
 (12 bolt, non-congealing)



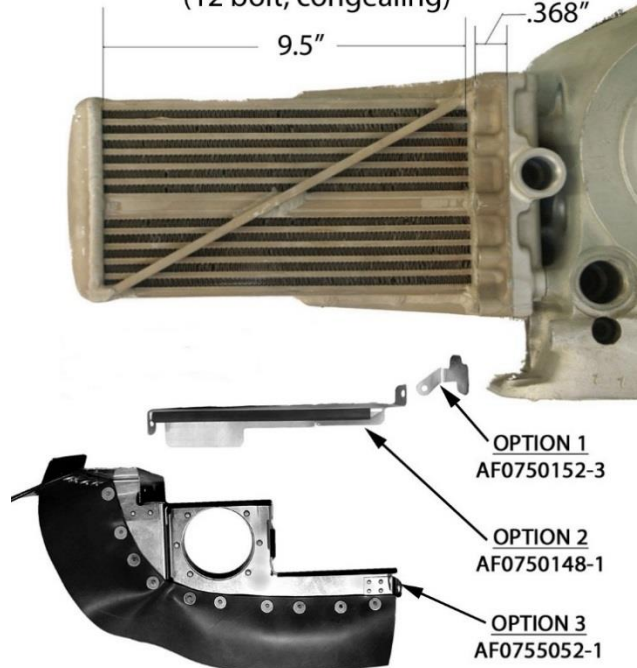
OIL COOLER PACKAGE B
 (12 bolt, non-congealing)



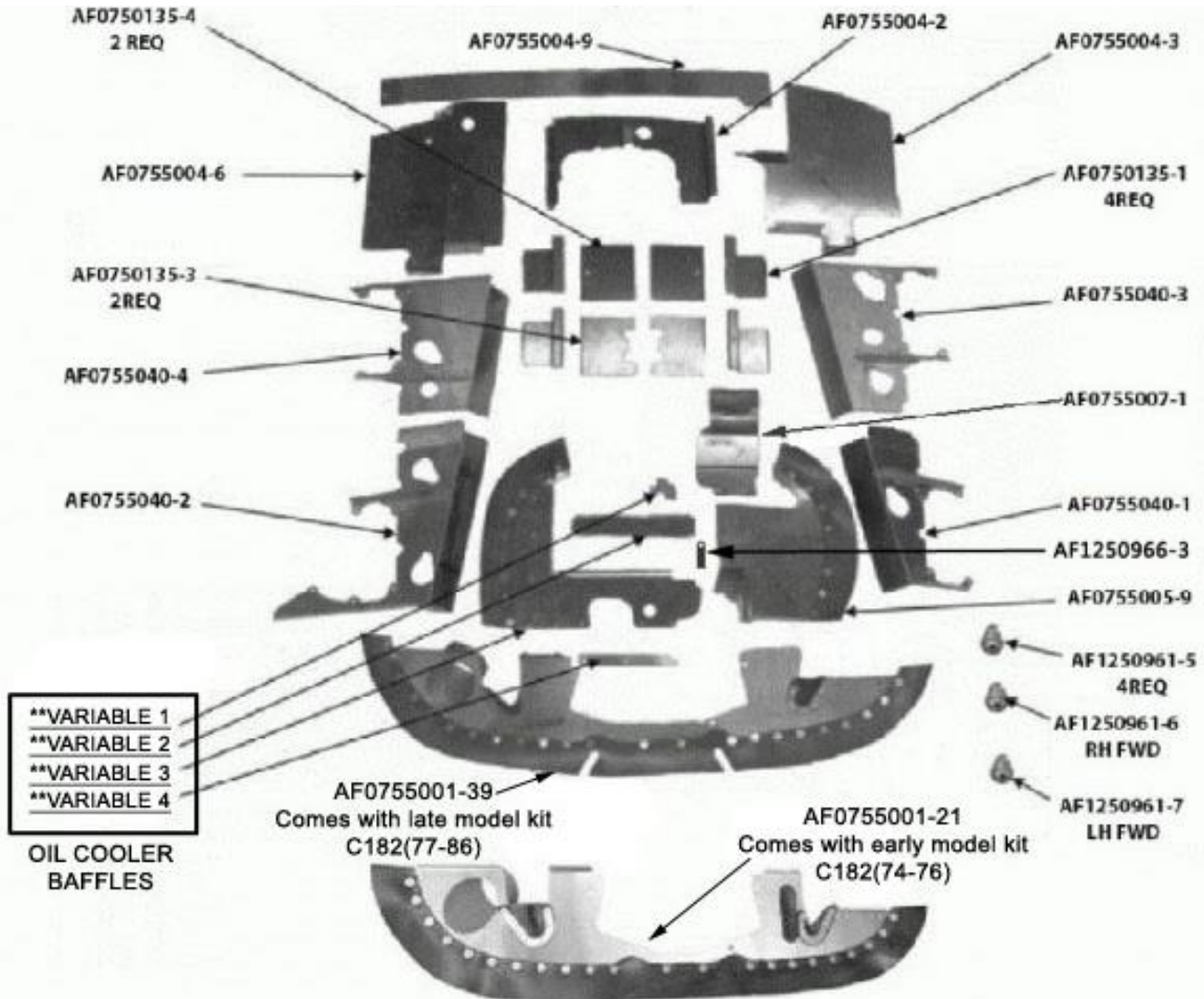
OIL COOLER PACKAGE C
 (8 bolt, congealing)



OIL COOLER PACKAGE D
 (12 bolt, congealing)



**FAA PMA ENGINE BAFFLES FOR CESSNA AIRCRAFT
 CESSNA 182 (1974-1976)**



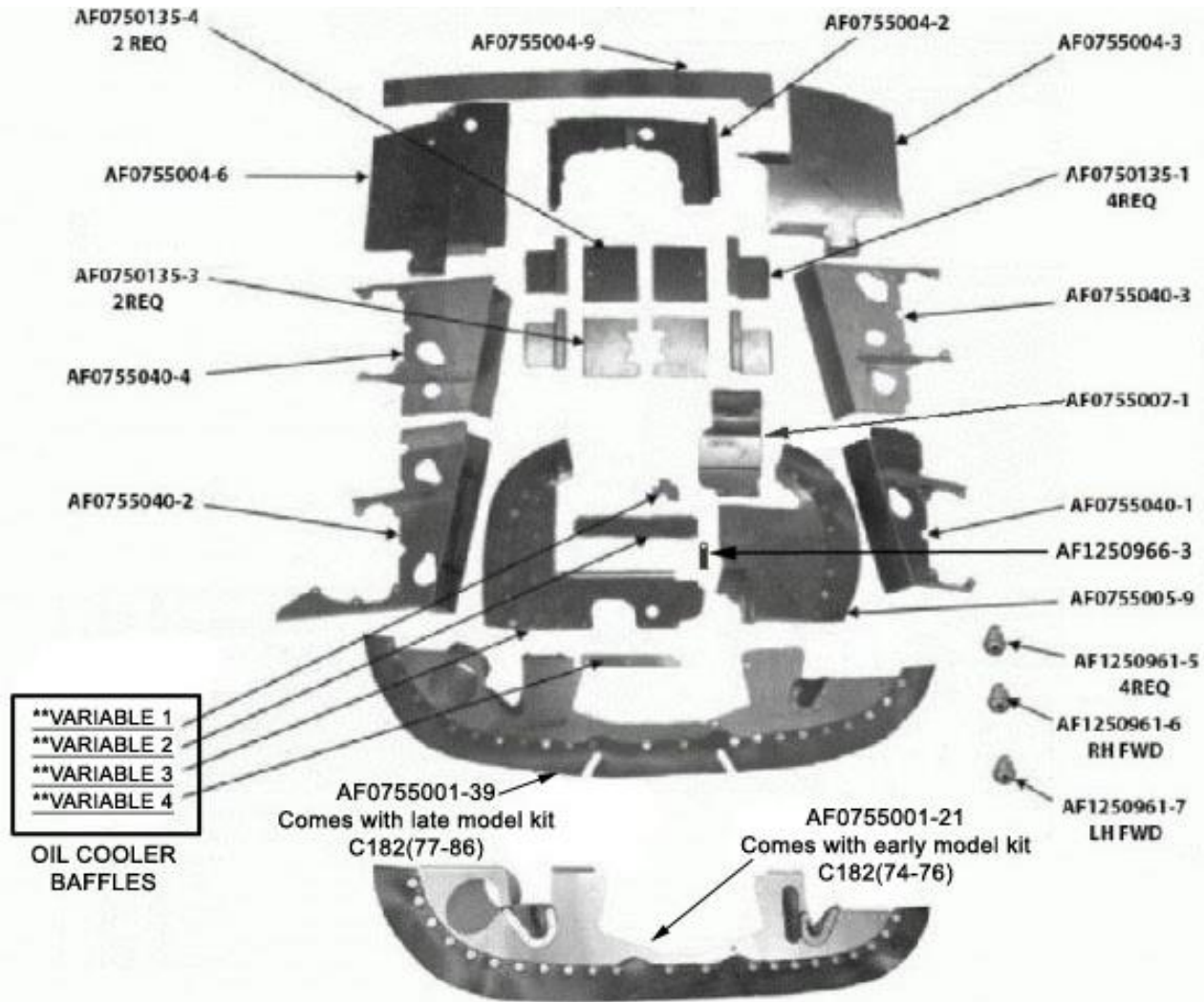
**VARIABLE 1
 **VARIABLE 2
 **VARIABLE 3
 **VARIABLE 4

OIL COOLER
 BAFFLES

Eligibility: 182 S/N 182-62466 thru 65175 F182 S/N F182-00001 thru 00025	
Bare Aluminum Complete Sets	
Kit Part Number	Description
C182-7476BRBKPKGG	Cessna 182 (1974-76) Bare Aluminum Set w/Package G Oil Cooler with Black Seals
C182-7476BRBKPKGH	Cessna 182 (1974-76) Bare Aluminum Set w/Package H Oil Cooler with Black Seals
Powder Coated Aluminum Complete Sets	
Kit Part Number	Description
C182-7476PCBKPKGG	Cessna 182 (1974-76) Powder Coated Set w/Package G Oil Cooler with Black Seals
C182-7476PCBKPKGH	Cessna 182 (1974-76) Powder Coated Set w/Package H Oil Cooler with Black Seals
Silicone Seal Kit Only	
Kit Part Number	Description
C182-7476SBK	Cessna 182 (1974-76) Seal Kit Black (Airforms' seal replacements)

[Orange and blue seals are available at an additional cost.]

**FAA PMA ENGINE Baffles for Cessna Aircraft
 CESSNA 182 (1977-1986)**



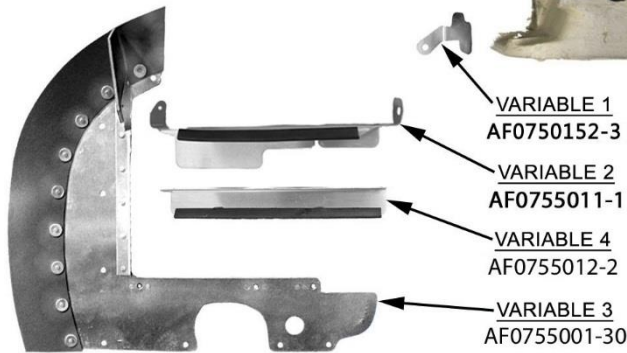
Eligibility: 182 S/N 182-65176 thru 68615 F182 S/N F18200026 thru 00169	
Bare Aluminum Complete Sets	
Kit Part Number	Description
C182-7786BRBKPKG	Cessna 182 (1977-85) Bare Aluminum Set w/Package G Oil Cooler with Black Seals
C182-7786BRBKPKG	Cessna 182 (1977-85) Bare Aluminum Set w/Package H Oil Cooler with Black Seals
Powder Coated Aluminum Complete Sets	
Kit Part Number	Description
C182-7786PCBKPKG	Cessna 182 (1977-85) Powder Coated Set w/Package G Oil Cooler with Black Seals
C182-7786PCBKPKG	Cessna 182 (1977-85) Powder Coated Set w/Package H Oil Cooler with Black Seals
Silicone Seal Kit Only	
Kit Part Number	Description
C182-7786SBK	Cessna 182 (1977-85) Seal Kit Black (Airforms' seal replacements)

[Orange and blue seals are available at an additional cost.]

CESSNA 182 (1974-1986) Oil Cooler Options

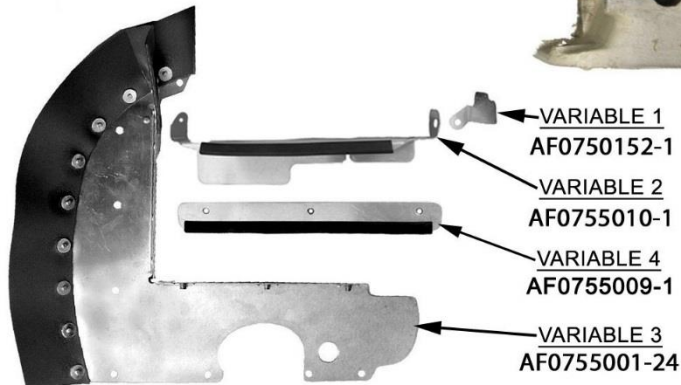
OIL COOLER PACKAGE G

(12 bolt, non-congealing)

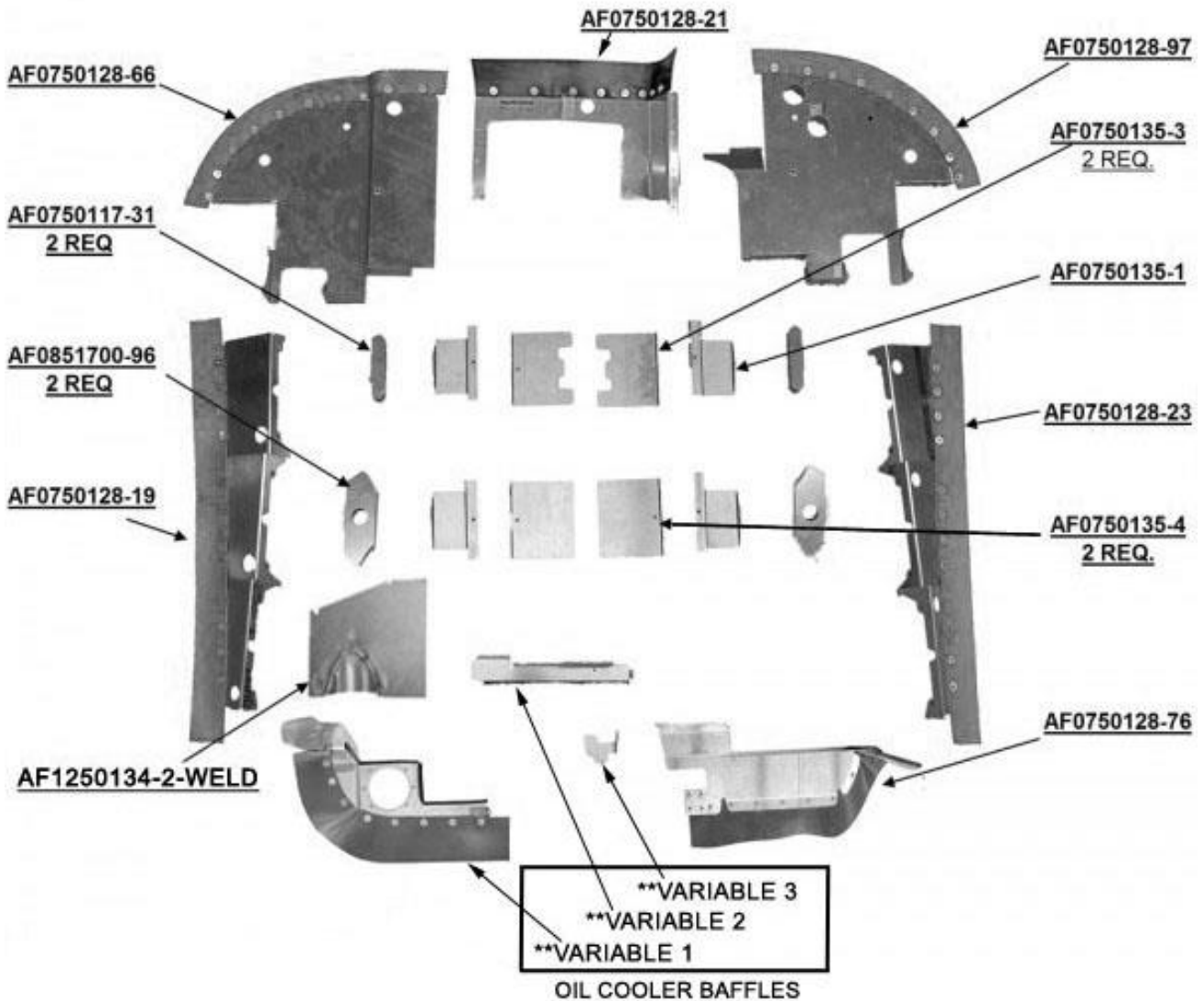


OIL COOLER PACKAGE H

(8 bolt, congealing)



**FAA PMA ENGINE Baffles for CESSNA AIRCRAFT
 CESSNA 185**



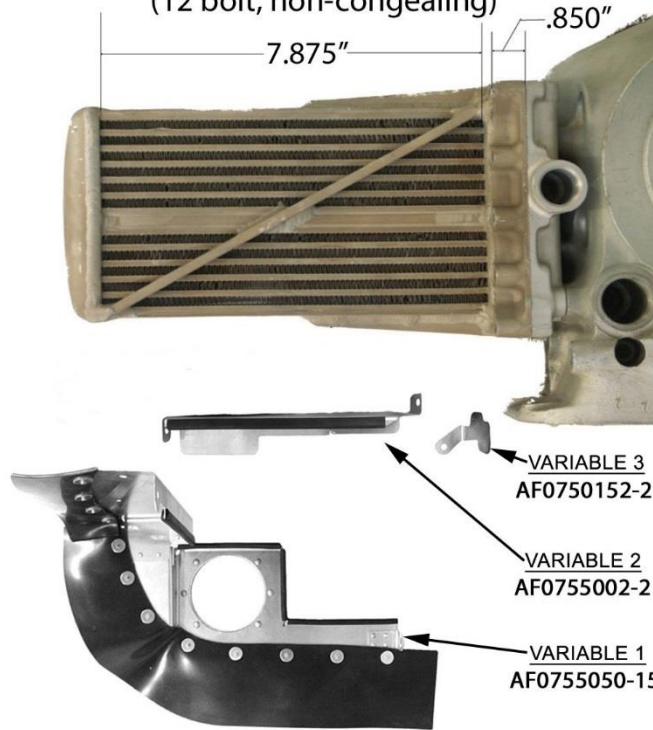
Eligibility: 185 ALL S/N	
Bare Aluminum Complete Sets	
Kit Part Number	Description
C185-BRBKPKGJ	Cessna 185 Bare Aluminum Full Set w/Package J Oil Cooler with Black Seals
C185-BRBKPKGK	Cessna 185 Bare Aluminum Full Set w/Package K Oil Cooler with Black Seals
Powder Coated Aluminum Complete Sets	
Kit Part Number	Description
C185-PCBKPKGJ	Cessna 185 Powder Coated Full Set w/Package J Oil Cooler with Black Seals
C185-PCBKPKGK	Cessna 185 Powder Coated Full Set w/Package K Oil Cooler with Black Seals
Silicone Seal Kit Only	
Kit Part Number	Description
C185-SBK	Cessna 185 Seal Kit Black (Airforms' seal replacements)

[Orange and blue seals are available at an additional cost.]

CESSNA 185 Oil Cooler Options

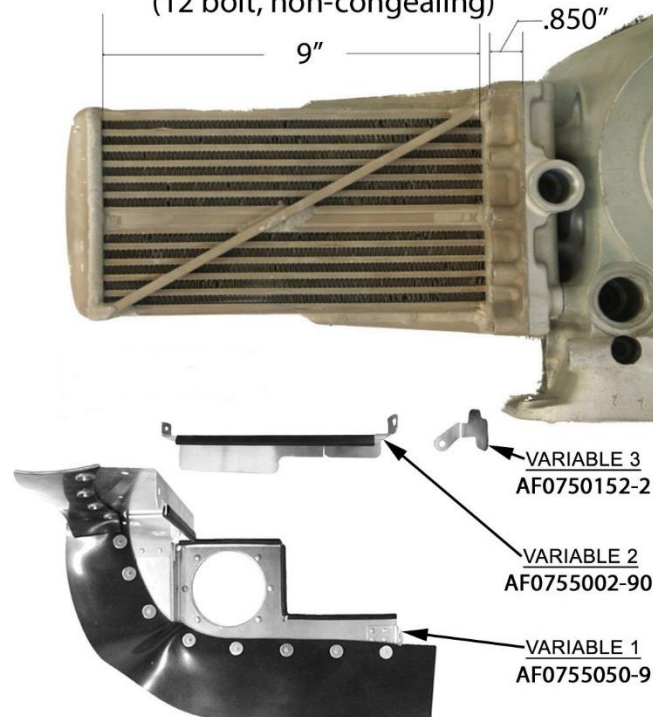
OIL COOLER PACKAGE J

(12 bolt, non-congealing)

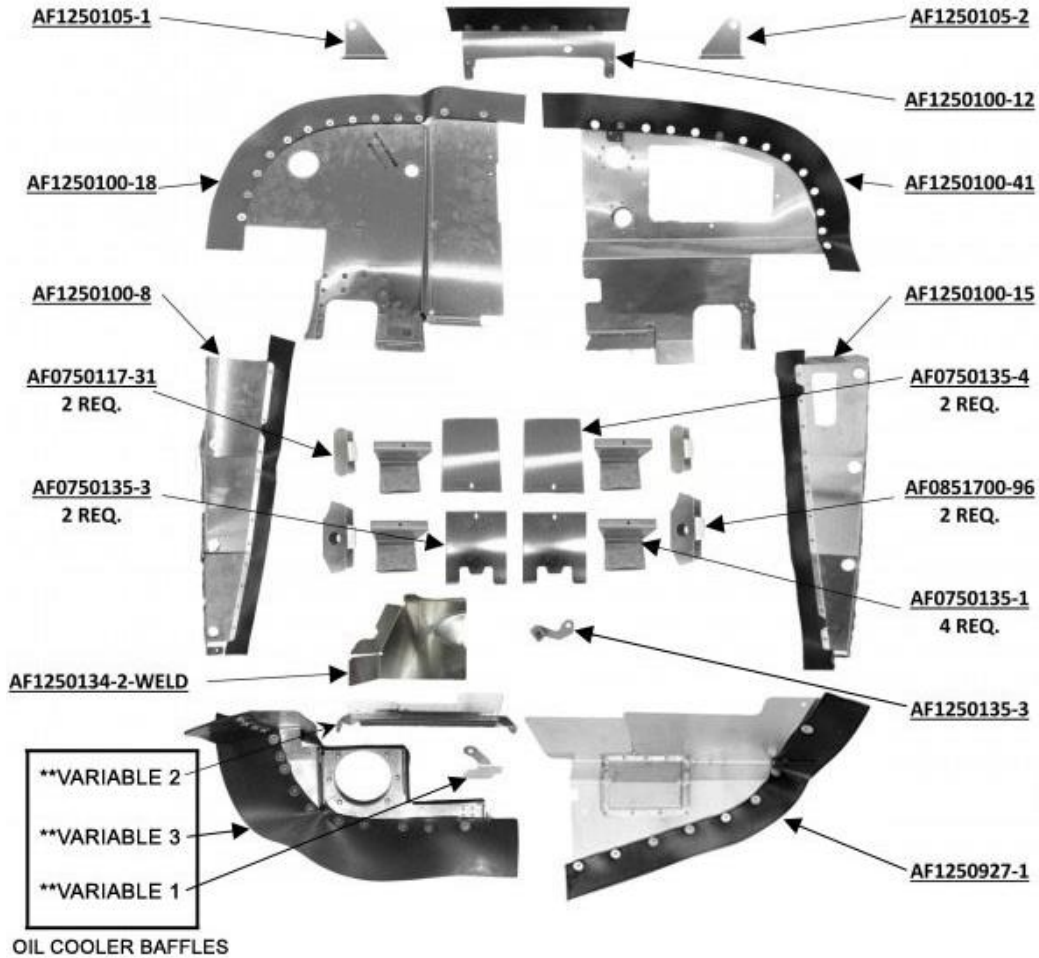


OIL COOLER PACKAGE K

(12 bolt, non-congealing)



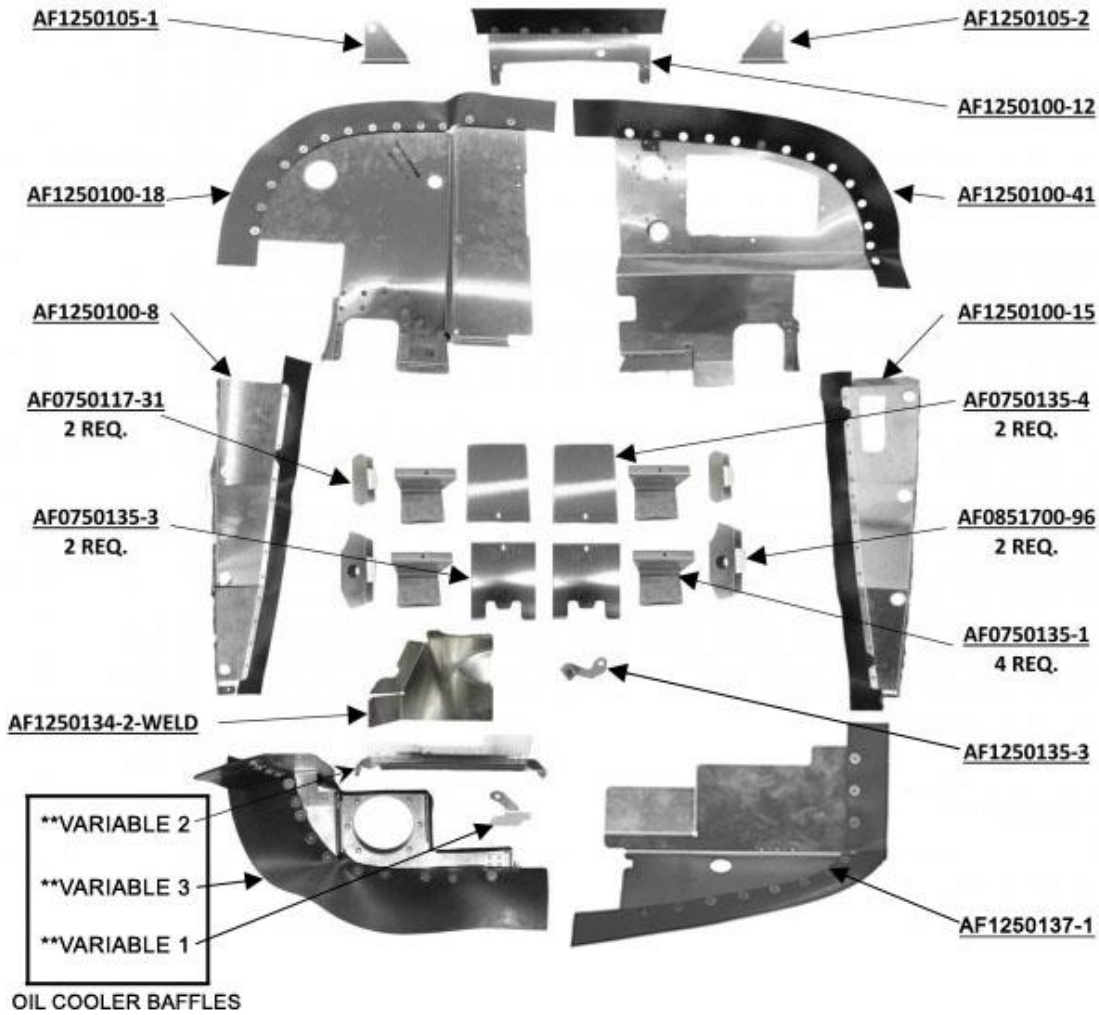
**FAA PMA ENGINE Baffles for Cessna Aircraft
 CESSNA 206 (1964) // U206 (1965-1971.5) // 207 (1969-75)**



Eligibility: 206 1964 Only: S/N 206-0001 thru 0275 U206 1965-71.5: S/N 206-0276 thru 01604 & 206-01619 thru 01632 C207 1969-75: S/N 207-00001 thru 00268	
Bare Aluminum Complete Sets	
Kit Part Number	Description
C206207-BRBKPKGE	Cessna 206/207 1965-75 Bare Aluminum Set w/Package E Oil Cooler with Black Seals
C206207-BRBKPKGF	Cessna 206/207 1965-75 Bare Aluminum Set w/Package F Oil Cooler with Black Seals
C206207-BRBKPKGI	Cessna 206/207 1965-75 Bare Aluminum Set w/Package I Oil Cooler with Black Seals
Powder Coated Complete Sets	
Kit Part Number	Description
C206207-PCBKPKGE	Cessna 206/207 1965-75 Powder Coated Set w/Package E Oil Cooler with Black Seals
C206207-PCBKPKGF	Cessna 206/207 1965-75 Powder Coated Set w/Package F Oil Cooler with Black Seals
C206207-PCBKPKGI	Cessna 206/207 1965-75 Powder Coated Set w/Package I Oil Cooler with Black Seals
Silicone Seal Kit Only	
Seal Kit Part Number	Description
C206207-SBK	Cessna 206/207 Seal Kit Black (Airforms' seal replacements)

[Orange and blue seals are available at an additional cost.]

**FAA PMA ENGINE BAFFLES FOR CESSNA AIRCRAFT
 CESSNA P206 (1965-70)**

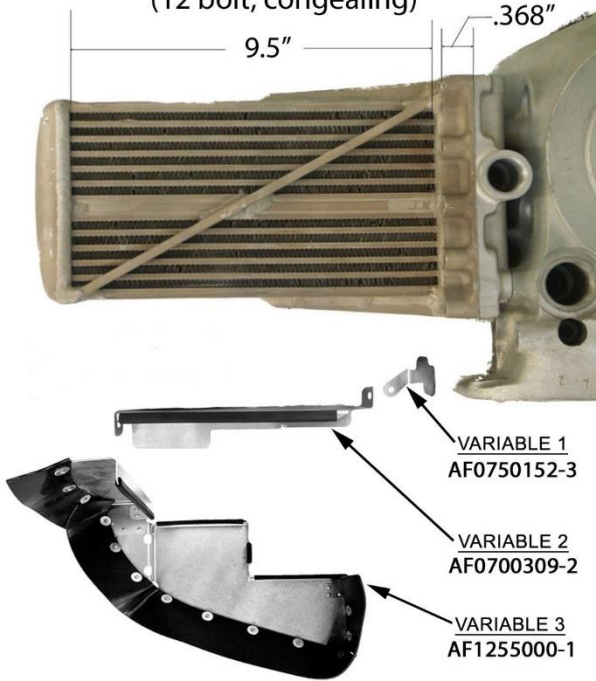


Eligibility: P206 1965-70 S/N: P206-0001 thru 206-00647	
Bare Aluminum Complete Sets	
Kit Part Number	Description
CP206-BRBKPKGE	Cessna P206 1965-1970 Bare Aluminum Set w/Package E Oil Cooler with Black Seals
CP206-BRBKPKGF	Cessna P206 1965-1970 Bare Aluminum Set w/Package F Oil Cooler with Black Seals
CP206-BRBKPKGI	Cessna P206 1965-1970 Bare Aluminum Set w/Package I Oil Cooler with Black Seals
Powder Coated Complete Sets	
Kit Part Number	Description
CP206-PCBKPKGE	Cessna P206 1965-1970 Powder Coated Set w/Package E Oil Cooler with Black Seals
CP206-PCBKPKGF	Cessna P206 1965-1970 Powder Coated Set w/Package F Oil Cooler with Black Seals
CP206-PCBKPKGI	Cessna P206 1965-1970 Powder Coated Set w/Package I Oil Cooler with Black Seals
Silicone Seal Kit Only	
Seal Kit Part Number	Description
CP206-SBK	Cessna P206 Seal Kit Black (Airforms' seal replacements)

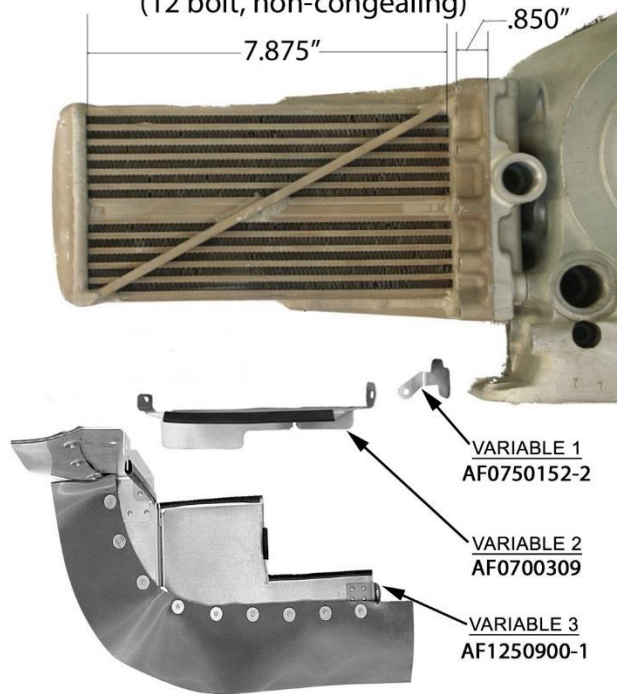
[Orange and blue seals are available at an additional cost.]

CESSNA 206 (1964-1971.5) / P206 (1965-70) / 207 (1969-75) Oil Cooler Options

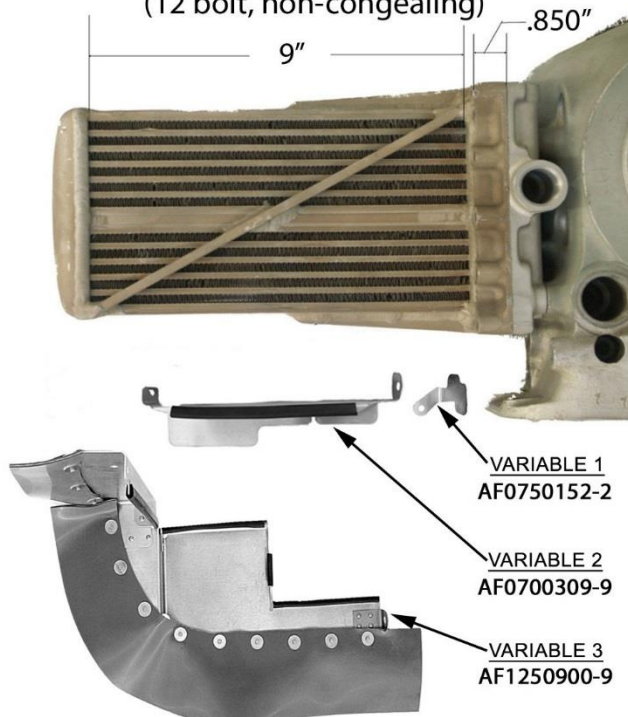
OIL COOLER PACKAGE E
(12 bolt, congealing)



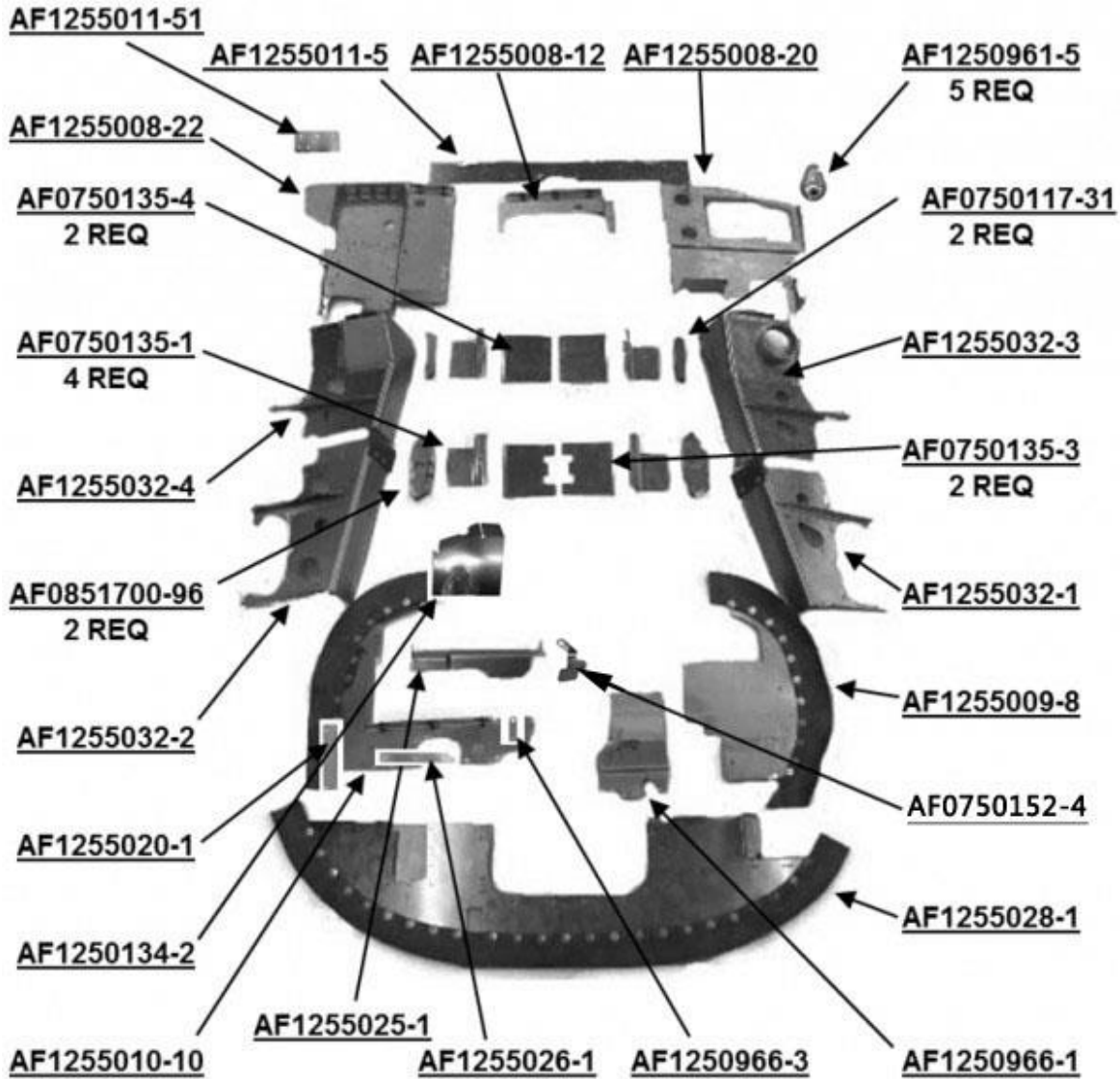
OIL COOLER PACKAGE F
(12 bolt, non-congealing)



OIL COOLER PACKAGE I
(12 bolt, non-congealing)



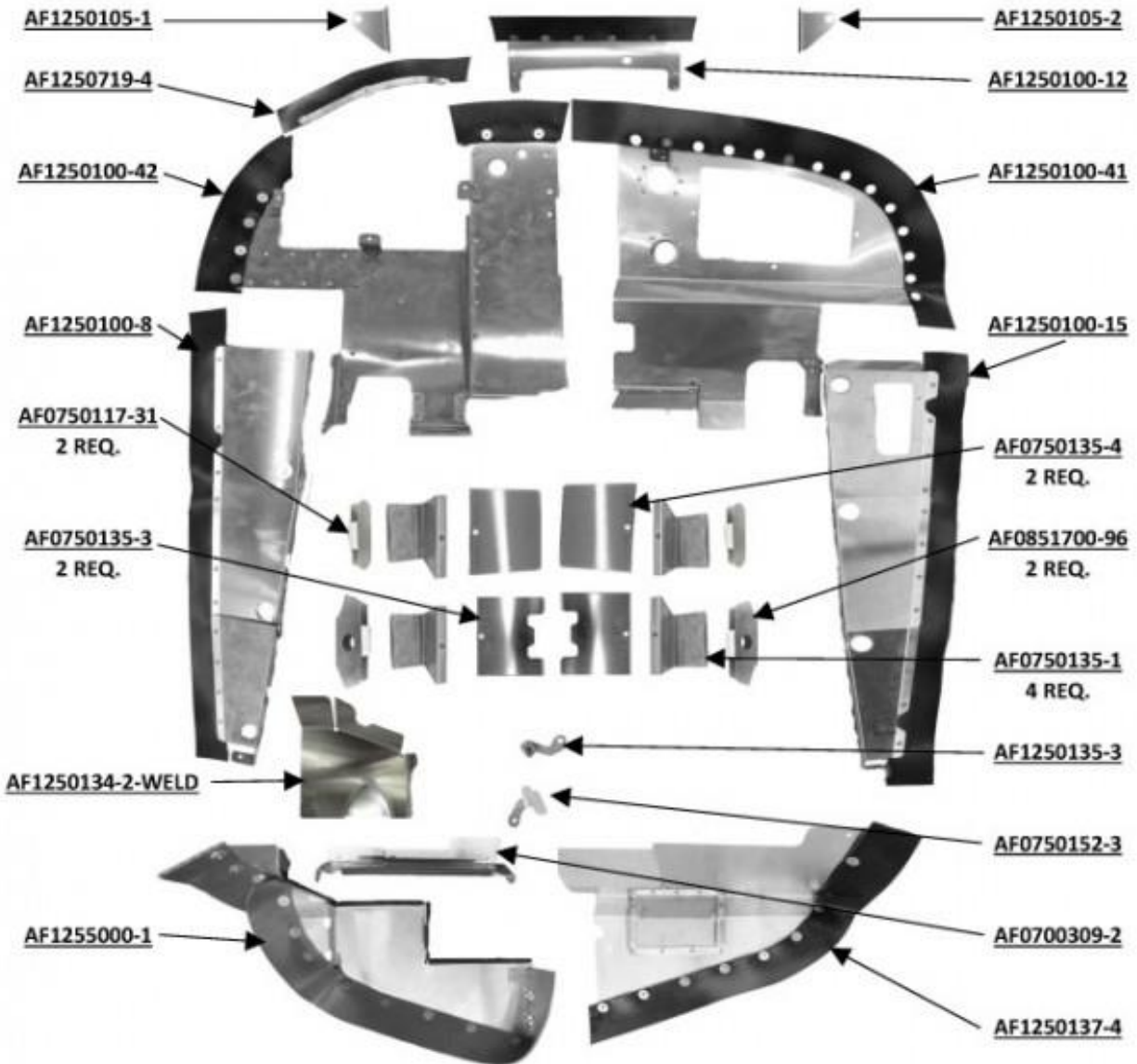
**FAA PMA ENGINE Baffles for Cessna Aircraft
 CESSNA 206 (1974-1986)**



Eligibility: U206 S/N U206-02200 thru 07020	
Kit Part Number	Description
C206-7486BRBK	Cessna 206 1974 - 1986 Bare Aluminum Full Set with Black Seals
C206-7486PCBK	Cessna 206 1974 - 1986 Powder Coated Full Set with Black Seals
C206-7486SBK	Cessna 206 1974 - 1986 Seal Kit Black (Airforms' seal replacements)

[Orange and blue seals are available at an additional cost.]

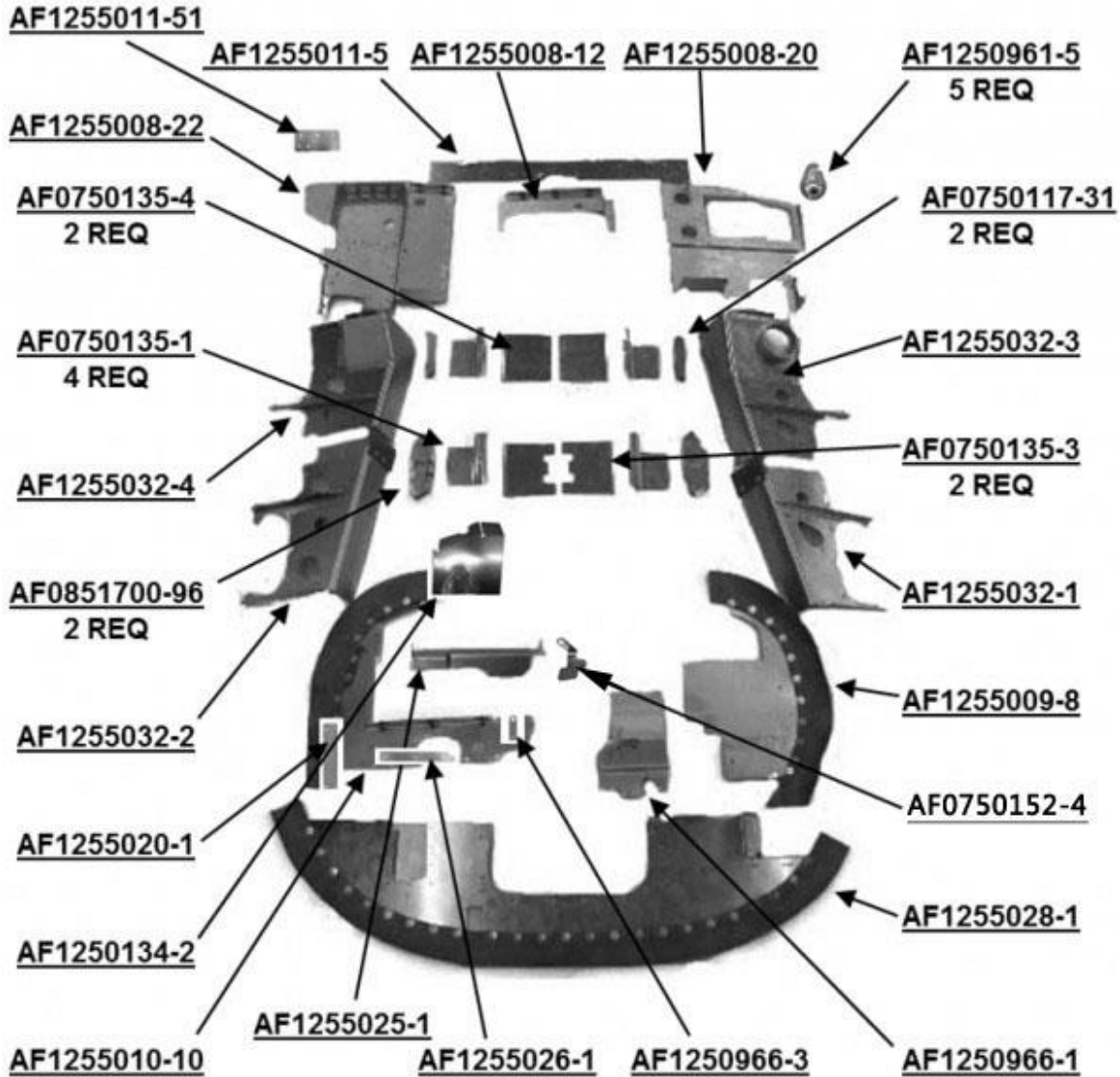
**FAA PMA ENGINE Baffles for Cessna Aircraft
 CESSNA 210 (1970-1973)**



Eligibility: 210 S/N 210-59200 thru 60089	
Kit Part Number	Description
C210-7073BRBK	Cessna 210 1970 - 1973 Bare Aluminum Full Set w/Black Seals
C210-7073PCBK	Cessna 210 1970 - 1973 Powder Coated Full Set w/Black Seals
C210-7073SBK	Cessna 210 1970 - 1973 Seal Kit Black (Airforms' seal replacements)

[Orange and blue seals are available at an additional cost.]

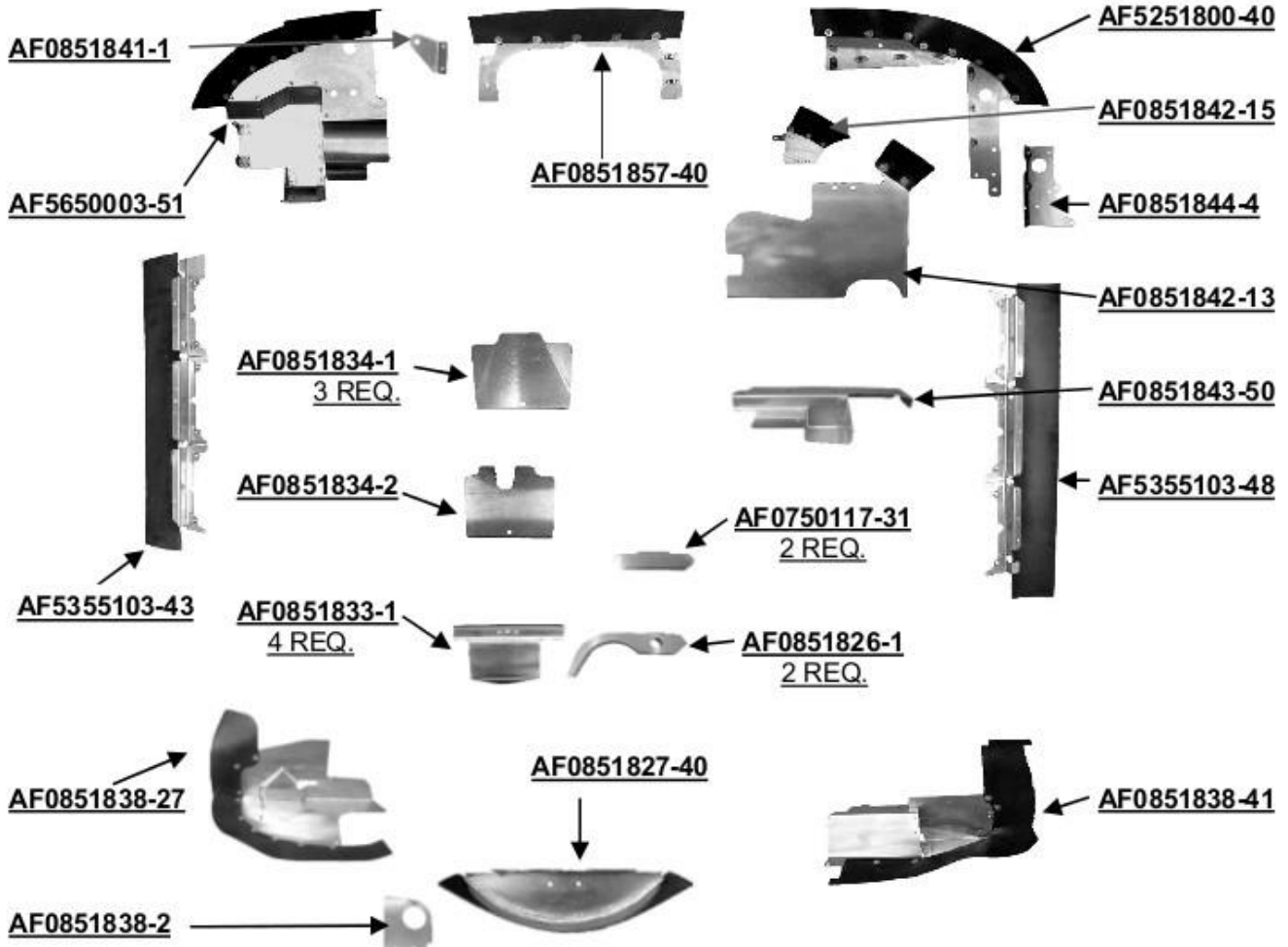
**FAA PMA ENGINE Baffles for Cessna Aircraft
 CESSNA 210 (1976-1980)**



Eligibility: 210 S/N 210-61040 thru 64135	
Kit Part Number	Description
C210-7680BRBK	Cessna 210 1976 - 1980 Bare Aluminum Full Set with Black Seals
C210-7680PCBK	Cessna 210 1976 - 1980 Powder Coated Full Set with Black Seals
C210-7680SBK	Cessna 210 1976 - 1980 Seal Kit Black (Airforms' seal replacements)

[Orange and blue seals are available at an additional cost.]

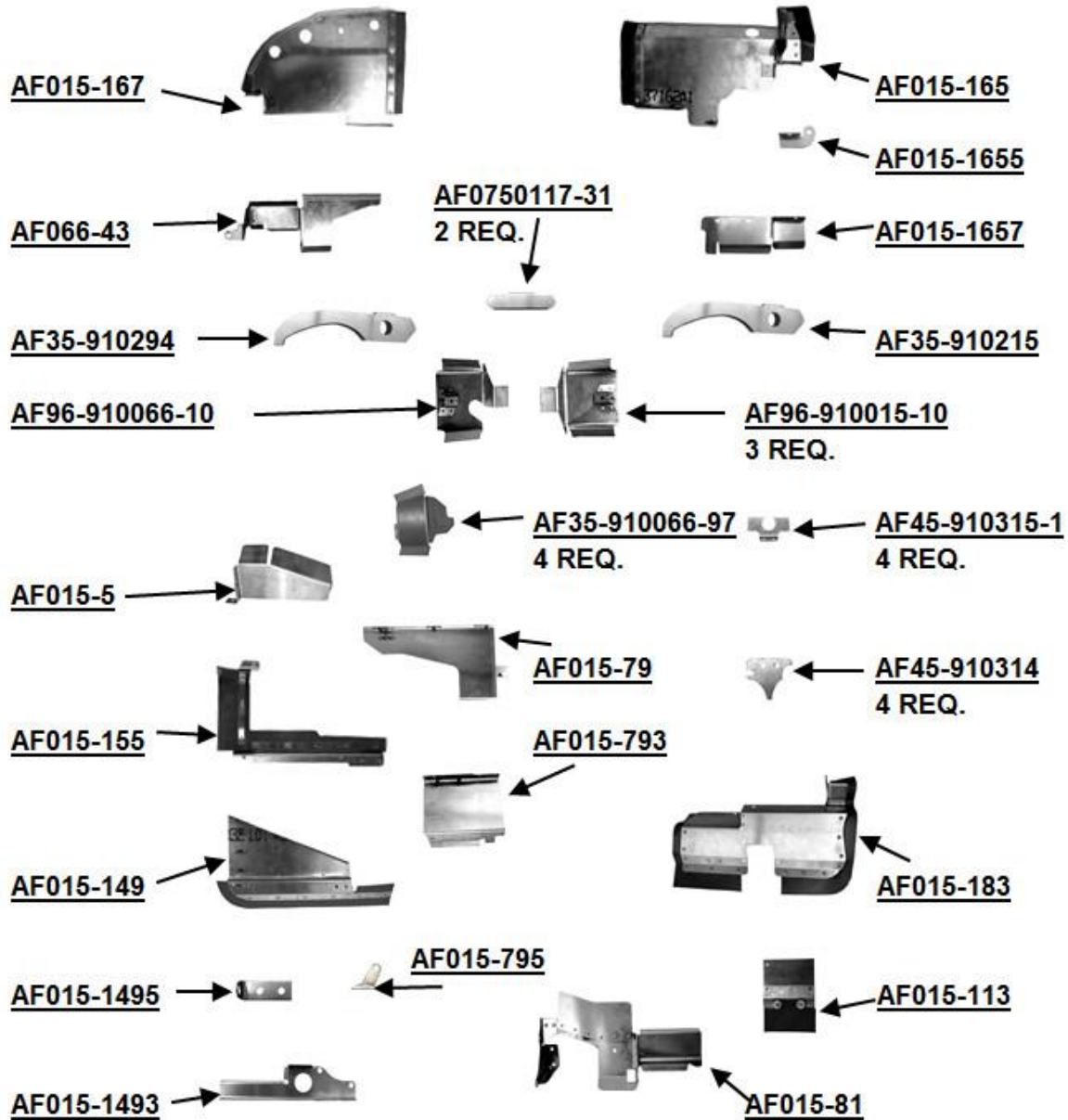
**FAA PMA ENGINE Baffles for Cessna Aircraft
 CESSNA 402C, 414A**



ELIGIBILITY: 402C All Serial Numbers 414A All Serial Numbers	
Kit Part Number	Description
C402414-BRBK	Cessna C-402/414 Bare Aluminum Full Set with Black Seals
C402414-PCBK	Cessna C-402/414 Powder Coated Full Set with Black Seals
C402414-SBK	Cessna C-402/414 Seal Kit Black (Airforms' seal replacements)

[Orange and blue seals are available at an additional cost.]

FAA PMA ENGINE BAFFLES FOR BEECHCRAFT AIRCRAFT
Beechcraft Baron 95-55, 95-A55, 95-B55

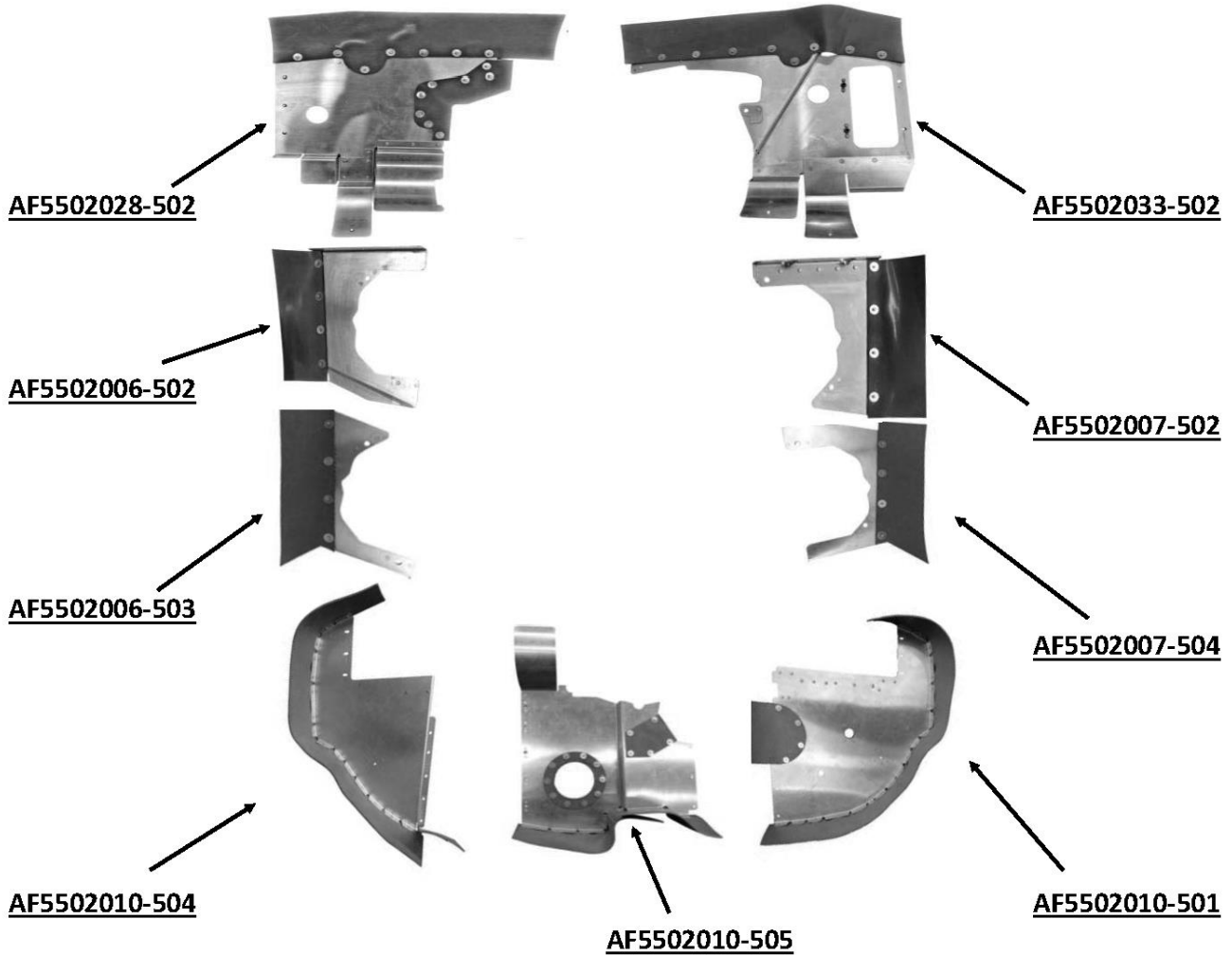


Not all repetitive parts are shown

ELIGIBILITY: 1971-1973 S/N TC-1386 THROUGH 1607, 1974-1976 S/N TC-1608 THROUGH 2002	
Kit Part Number	Description
B9555-BRBK	Baron B95 55 A/B Bare Aluminum Full Set with Black Seals
B9555-PCBK	Baron B95 55 A/B Powder Coated Full Set with Black Seals
B9555-SBK	Baron B95 55 A/B Seal Kit Black (Airforms' seal replacements)

[Orange and blue seals are available at an additional cost.]

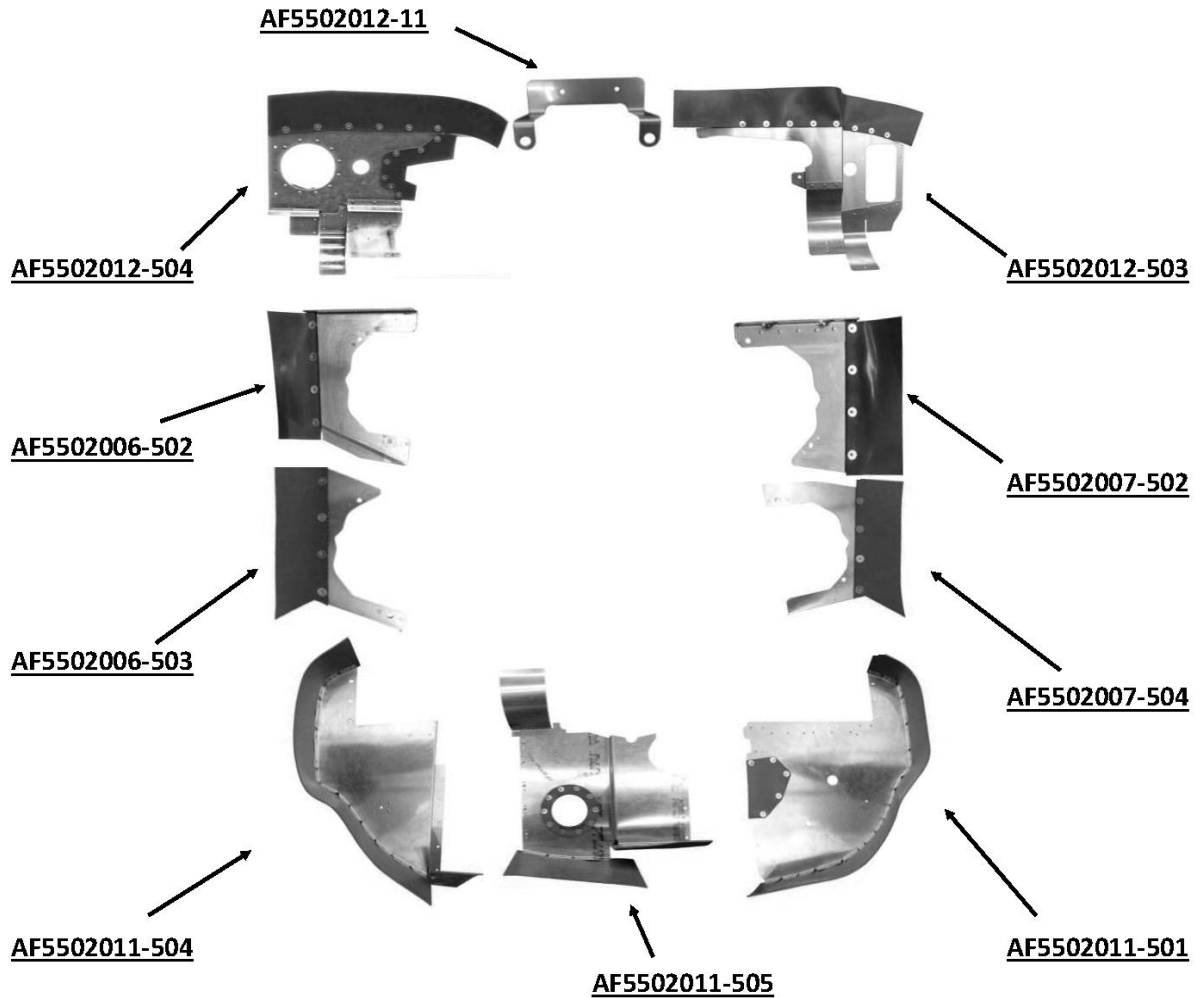
FAA PMA ENGINE Baffles for Grumman Aircraft
Grumman AA-5A



ELIGIBILITY: AA-5A all S/N	
Kit Part Number	Description
AA-5ABRBK	Grumman AA-5A Bare Aluminum Full Set with Black Seals
AA-5APCBK	Grumman AA-5A Powder Coated Full Set with Black Seals
AA-5ASBK	Grumman AA-5A Seal Kit Black (Airforms' seal replacements)

[Orange and blue seals are available at an additional cost.]

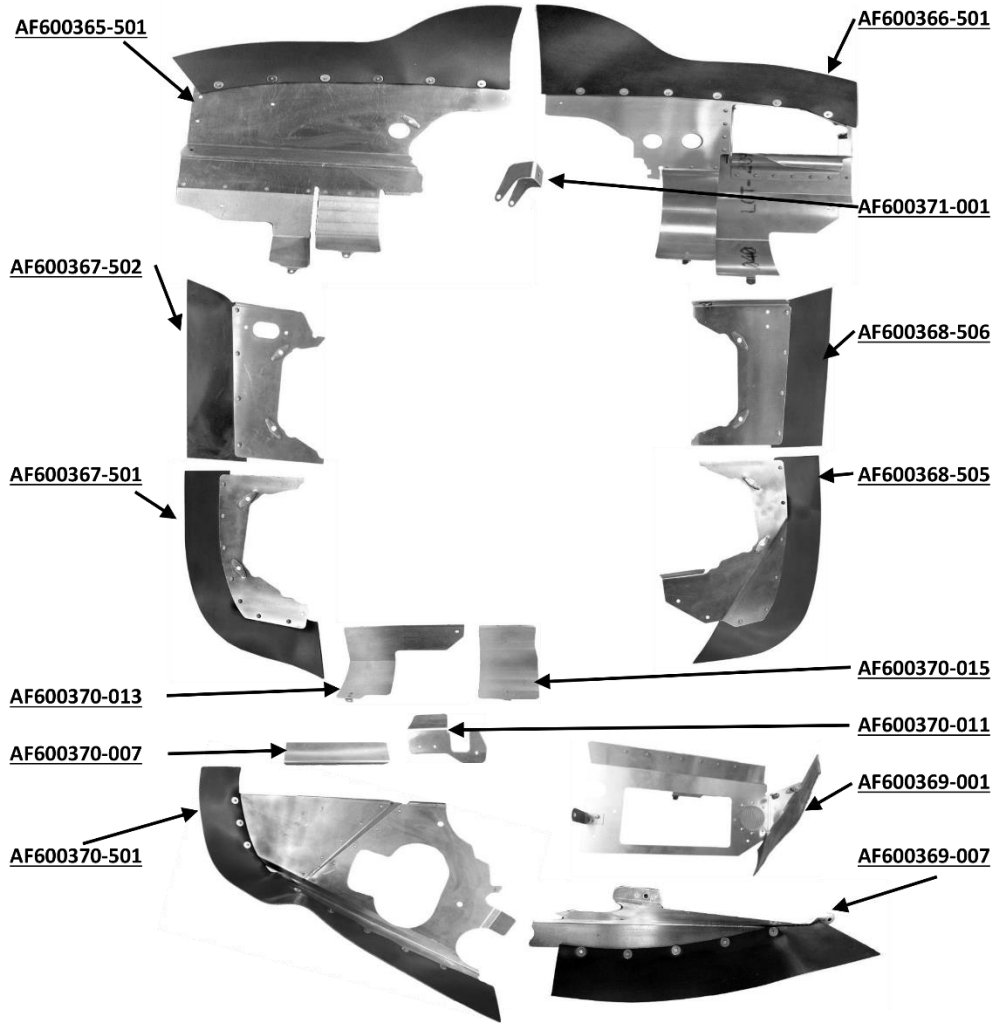
FAA PMA ENGINE Baffles for GRUMMAN AIRCRAFT
Grumman AA-5B



ELIGIBILITY: AA-5B all S/N	
Kit Part Number	Description
AA-5BBRBK	Grumman AA-5B Bare Aluminum Full Set with Black Seals
AA-5BPCBK	Grumman AA-5B Powder Coated Full Set with Black Seals
AA-5BSBK	Grumman AA-5B Seal Kit Black (Airforms' seal replacements)

[Orange and blue seals are available at an additional cost.]

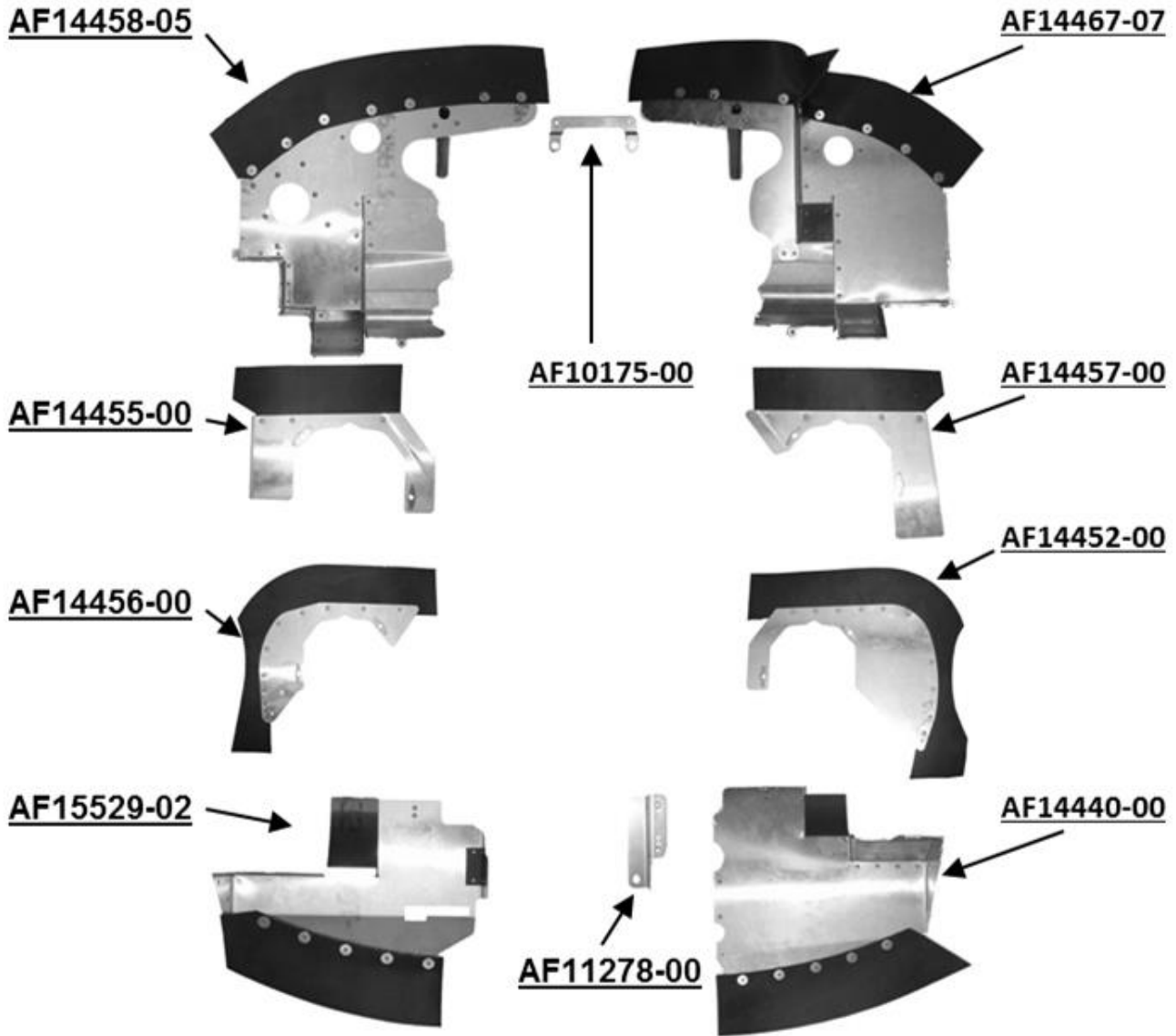
FAA PMA ENGINE BAFFLES FOR MOONEY AIRCRAFT
Mooney M20J



ELIGIBILITY: M20J ALL S/N	
Kit Part Number	Description
M20J-BRBK	Mooney M20J Bare Aluminum Full Set with Black Seals
M20J-PCBK	Mooney M20J Powder Coated Full Set with Black Seals
M20J-SBK	Mooney M20J Seal Kit Black (Airforms' seal replacements)

[Orange and blue seals are available at an additional cost.]

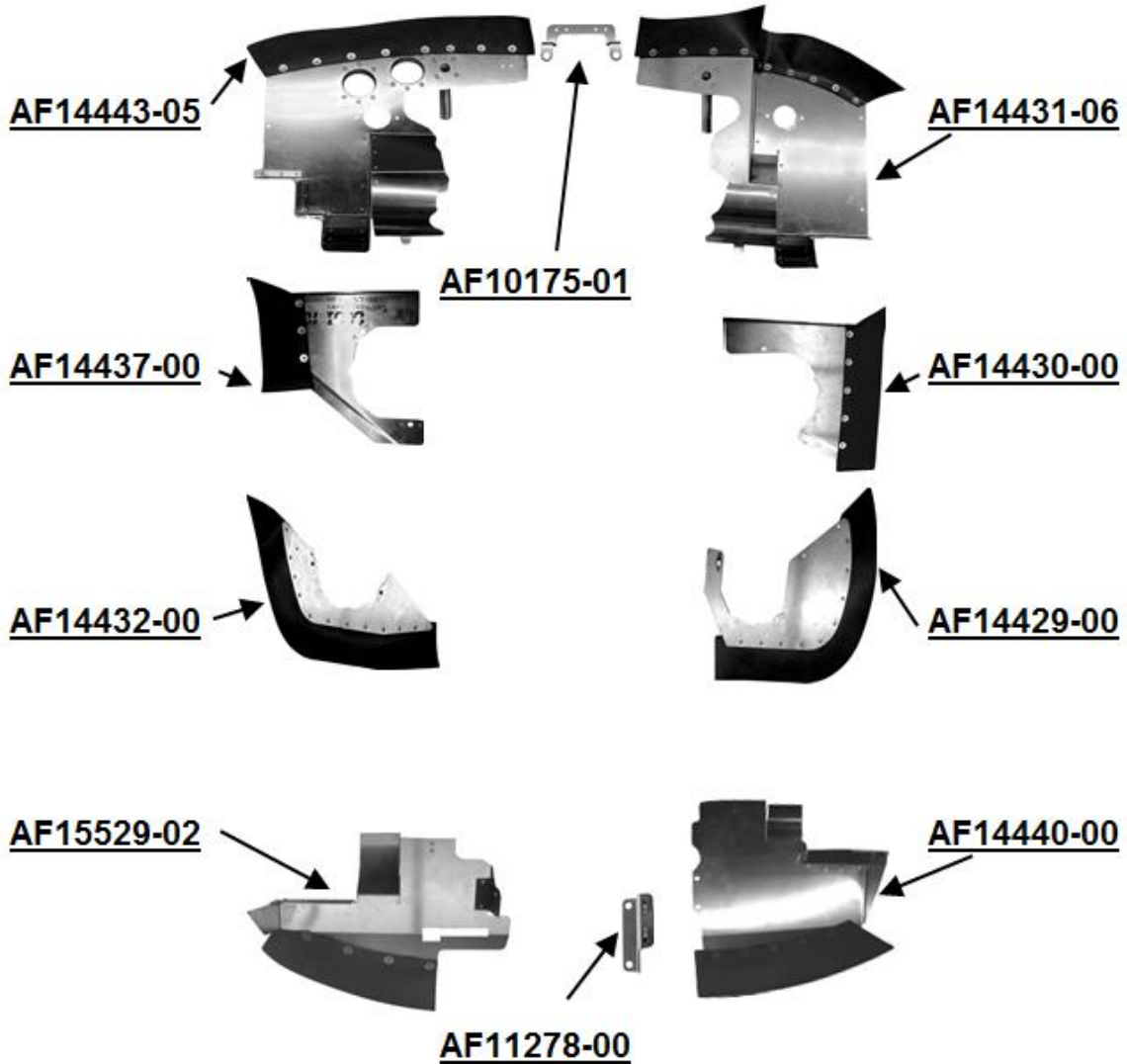
**FAA PMA ENGINE Baffles for PIPER AIRCRAFT
 PIPER PA-18-150**



ELIGIBILITY: S/N 18-3781 THRU 18-09079, and 18-09088, 18-09100, 18-09113	
Kit Part Number	Description
PA18150-BRBK	Piper PA-18-150 Bare Aluminum Full Set with Black Seals
PA18150-PCBK	Piper PA-18-150 Powder Coated Full Set with Black Seals
PA18150-SBK	Piper PA-18-150 Seal Kit Black (Airforms' seal replacements)

[Orange and blue seals are available at an additional cost.]

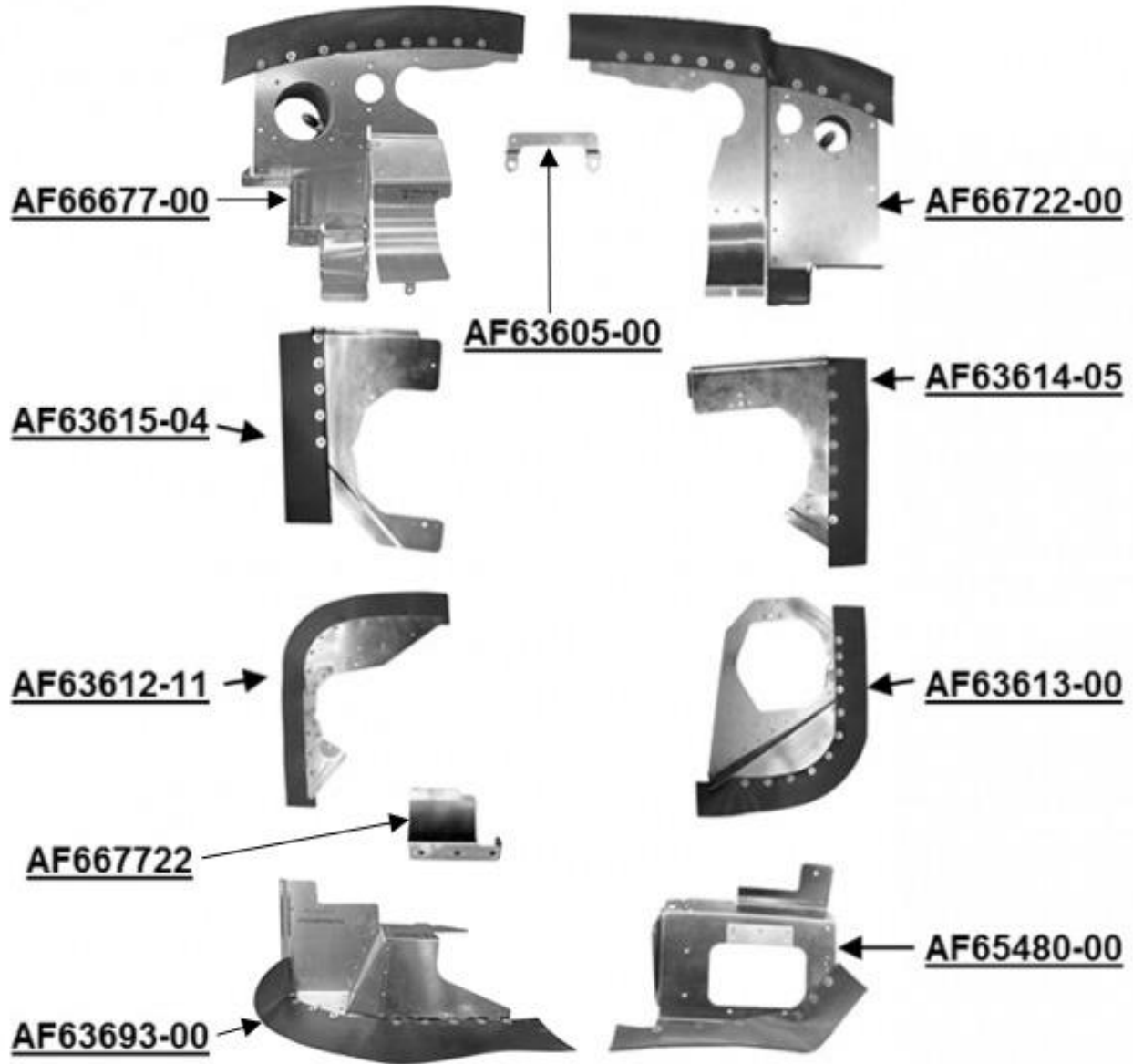
**FAA PMA ENGINE Baffles for Piper Aircraft
 PIPER PA-22-150**



ELIGIBILITY: PA-22-150 S/N 22-2425 THRU 22-7630	
Kit Part Number	Description
PA22150-BRBK	Piper PA22-150 Bare Aluminum Full Set with Black Seals
PA22150-PCBK	Piper PA22-150 Powder Coated Full Set with Black Seals
PA22150-SBK	Piper PA22-150 Seal Kit Black (Airforms' seal replacements)

[Orange and blue seals are available at an additional cost.]

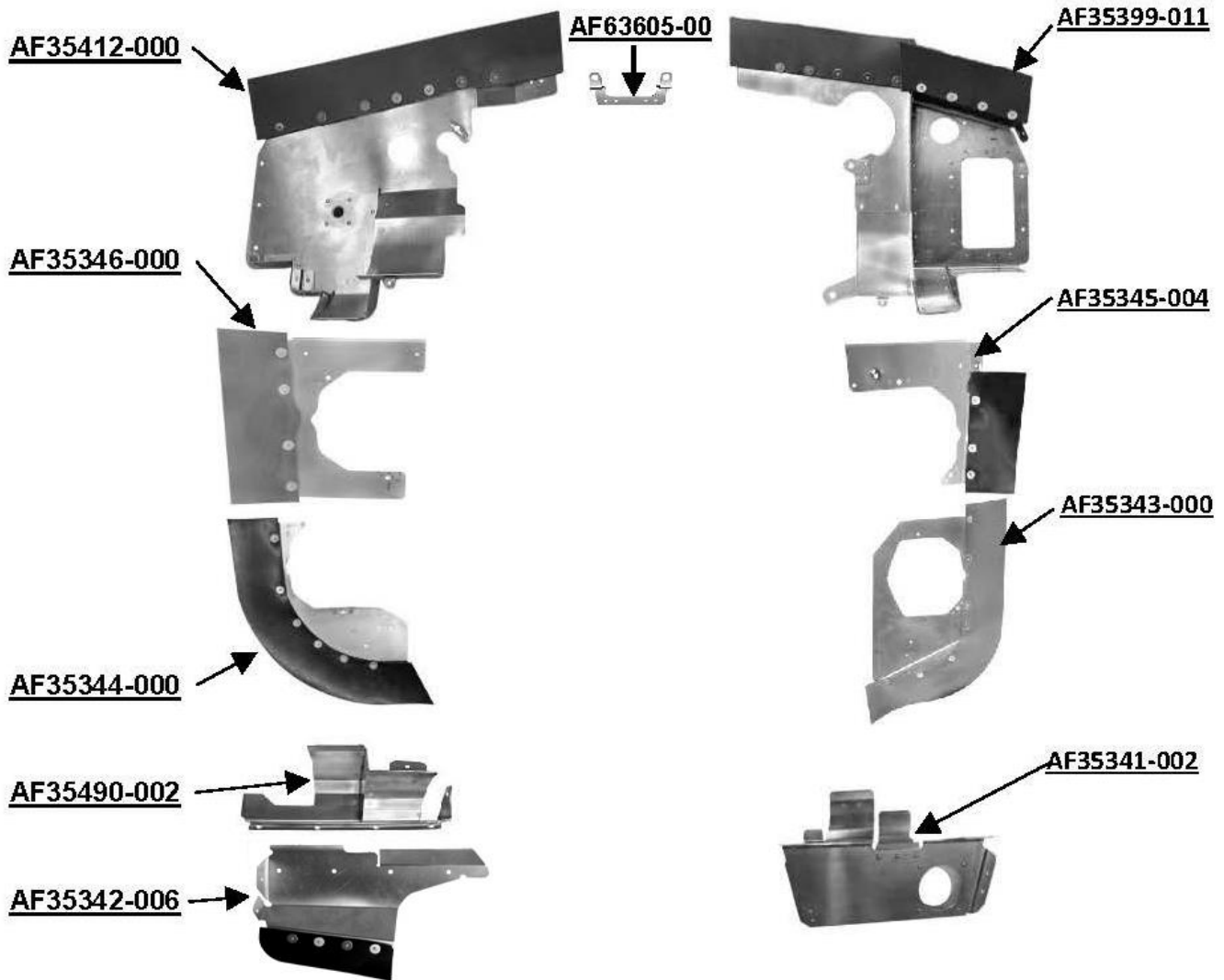
**FAA PMA ENGINE Baffles for Piper Aircraft
 Piper PA-28-140 (1964 -1971.5)**



ELIGIBILITY: PA-28-140 S/N 28-20002 thru 28-7125471	
Kit Part Number	Description
PA28140-64715BRBK	Piper PA-28-140 Bare Aluminum Full Set with Black Seals
PA28140-64715PCBK	Piper PA-28-140 Powder Coated Full Set with Black Seals
PA28140-64715SBK	Piper PA-28-140 Seal Kit Black (Airforms' seal replacements)

[Orange and blue seals are available at an additional cost.]

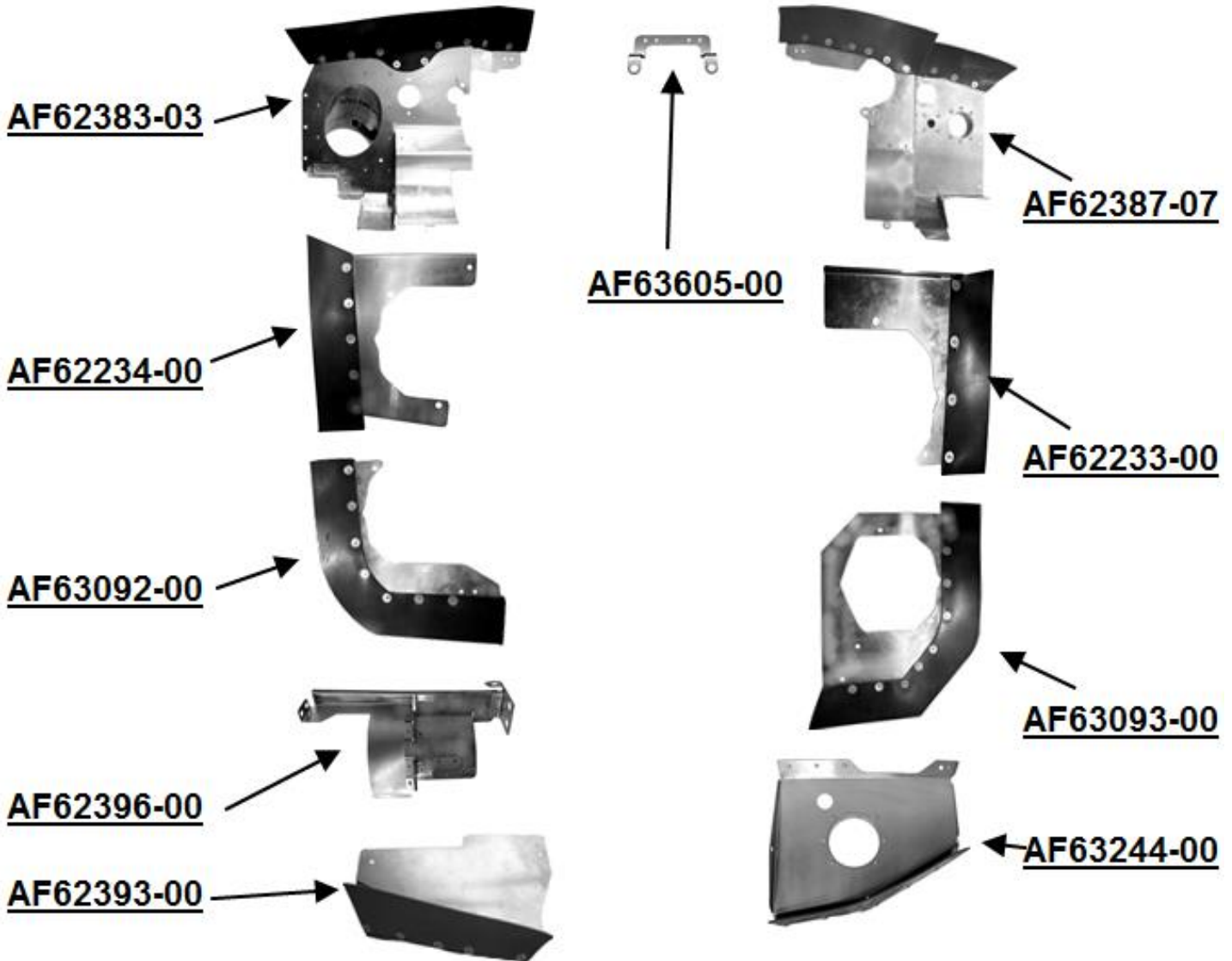
**FAA PMA ENGINE Baffles for Piper Aircraft
 PIPER PA-28-161**



ELIGIBILITY: PA-28-161 S/N - All	
Kit Part Number	Description
PA28161-BRBK	Piper PA-28-161 Bare Aluminum Full Set with Black Seals
PA28161-PCBK	Piper PA-28-161 Powder Coated Full Set with Black Seals
PA28161-SBK	Piper PA-28-161 Seal Kit Black (Airforms' seal replacements)

[Orange and blue seals are available at an additional cost.]

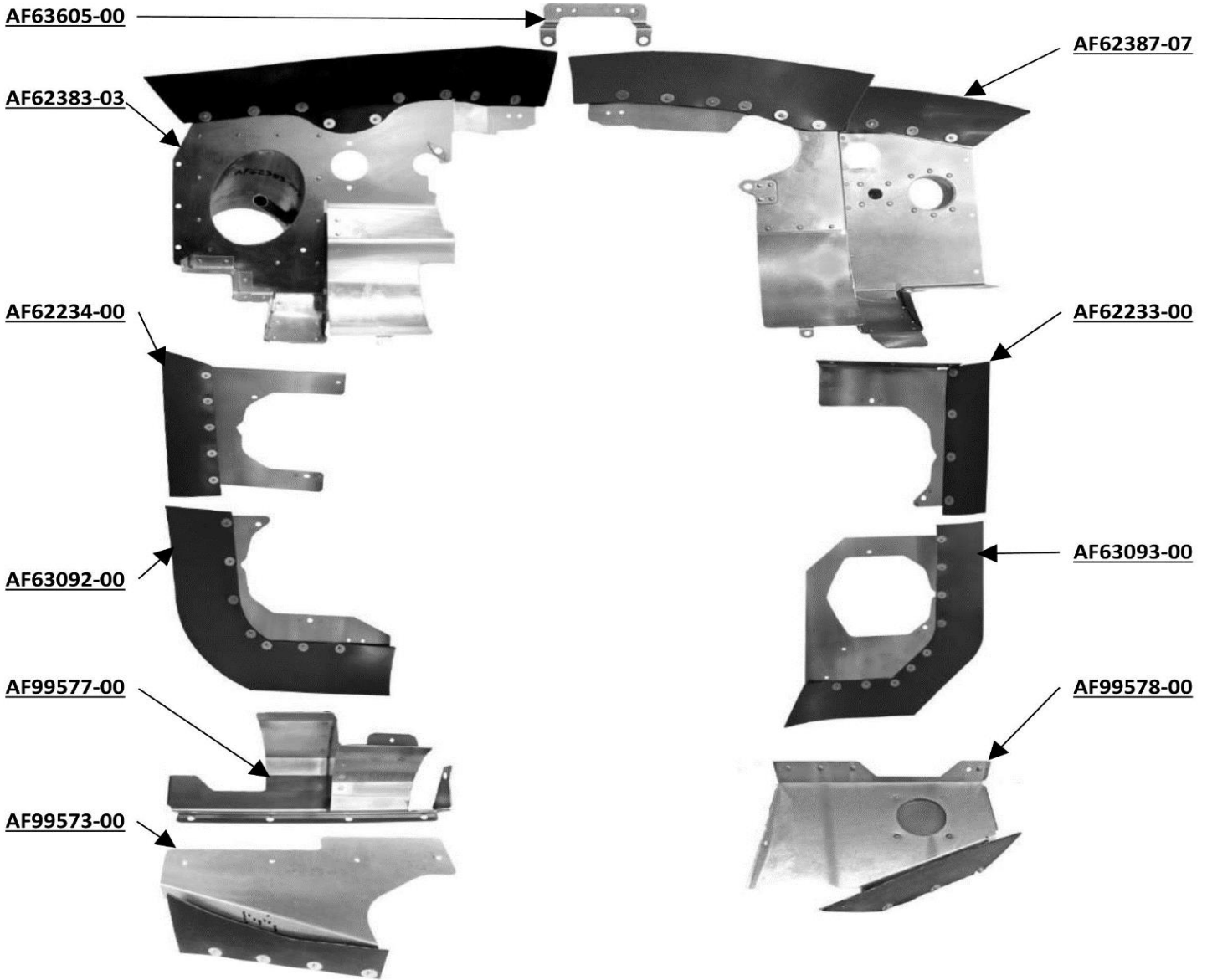
**FAA PMA ENGINE Baffles for Piper Aircraft
 Piper PA-28-180 (1965-72.5)**



ELIGIBILITY: PA-28-180 S/N 28-1761 thru 28-7205091	
Kit Part Number	Description
PA28180-65725BRBK	Piper PA-28-180 Bare Aluminum Full Set with Black Seals
PA28180-65725PCBK	Piper PA-28-180 Powder Coated Full Set with Black Seals
PA28180-65725SBK	Piper PA-28-180 Seal Kit Black (Airforms' seal replacements)

[Orange and blue seals are available at an additional cost.]

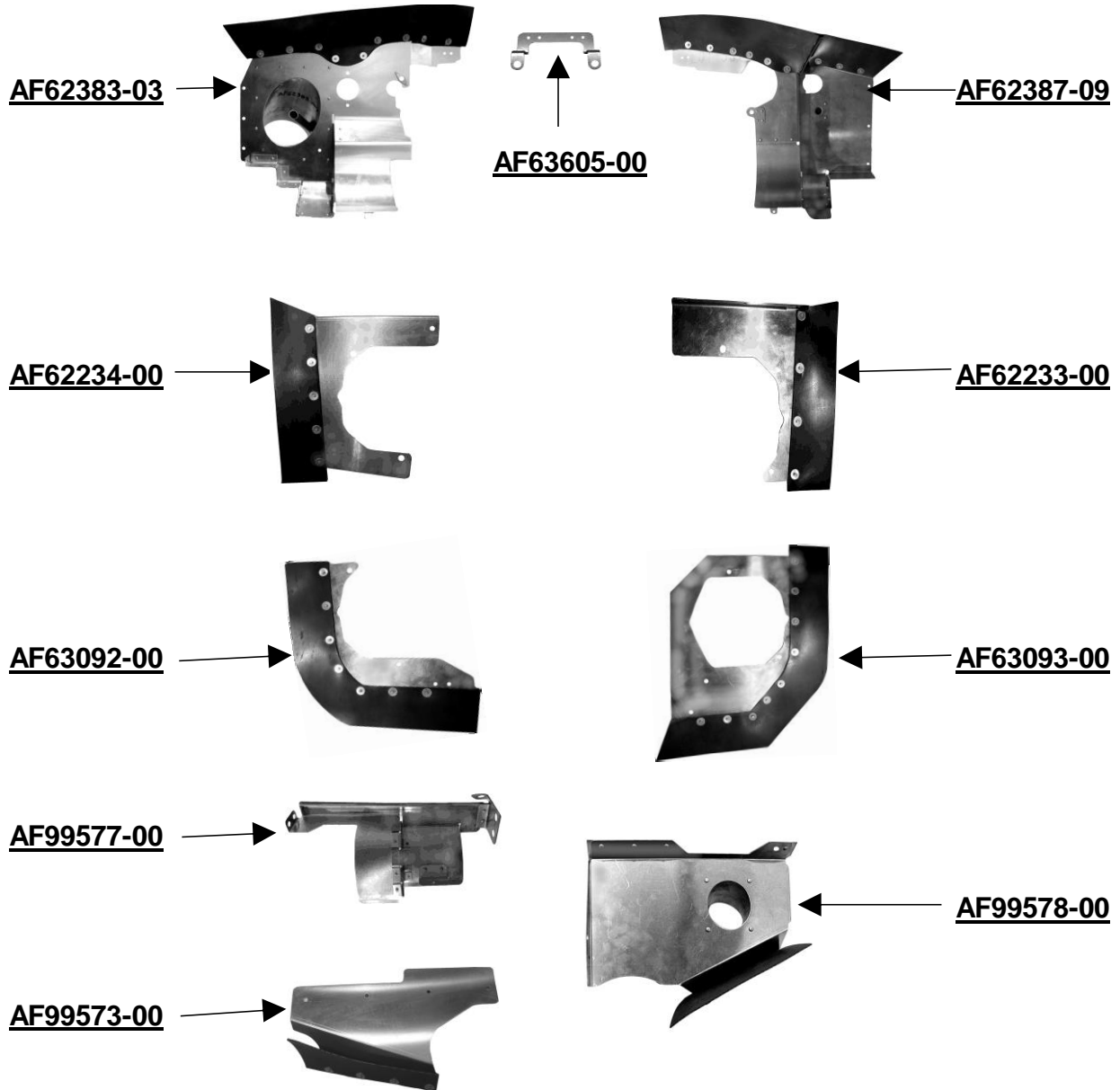
**FAA PMA ENGINE Baffles for Piper Aircraft
 Piper PA-28-180 (1972.5-75)**



ELIGIBILITY: PA-28-180 S/N 28-7205092 thru 28-7505259	
Kit Part Number	Description
PA28180-72.575BRBK	Piper PA-28-180 Bare Aluminum Full Set with Black Seals
PA28180-72.575PCBK	Piper PA-28-180 Powder Coated Full Set with Black Seals
PA28180-72.575SBK	Piper PA-28-180 Seal Kit Black (Airforms' seal replacements)

[Orange and blue seals are available at an additional cost.]

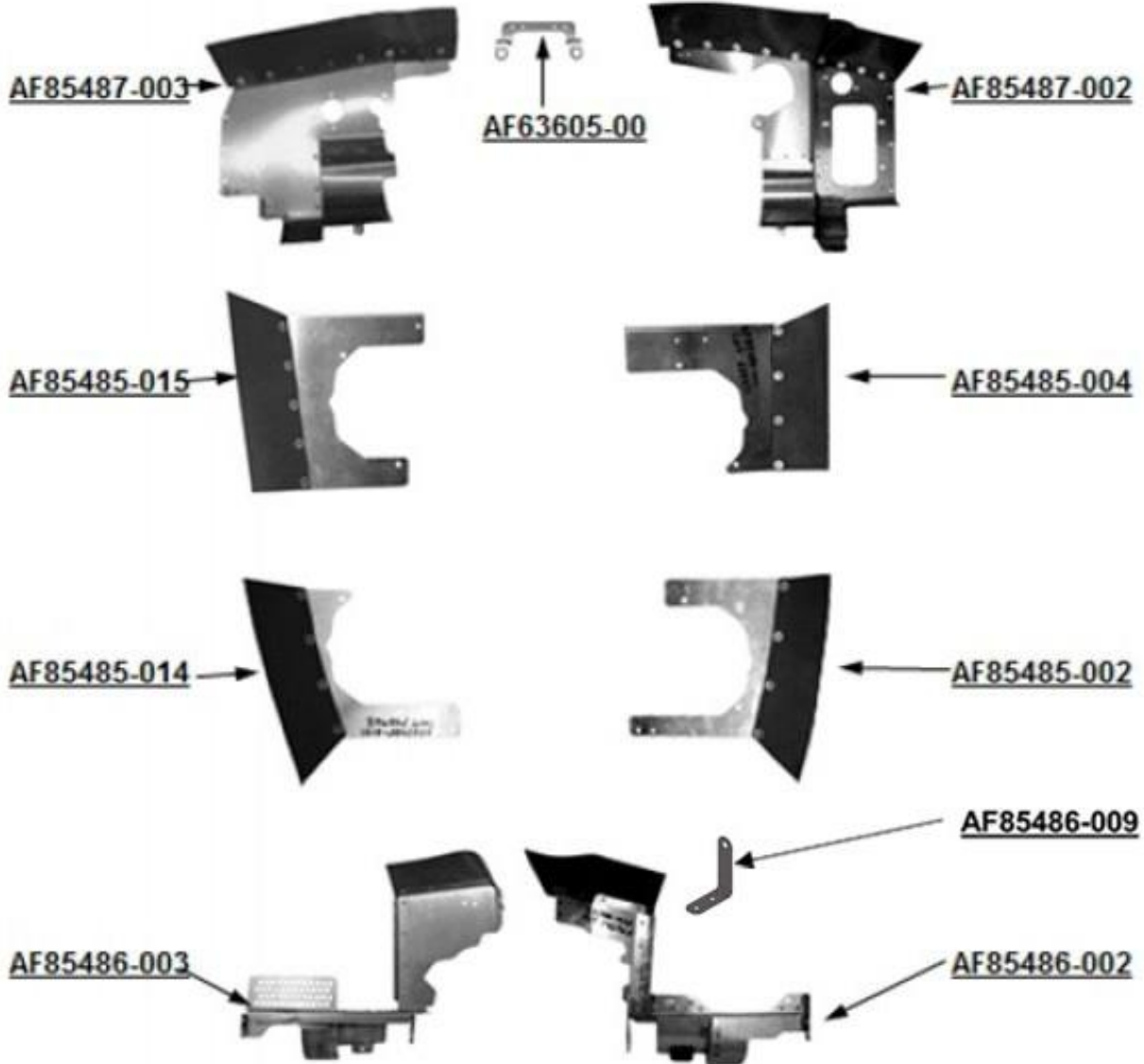
**FAA PMA ENGINE Baffles for Piper Aircraft
 PIPER PA-28-181 ARCHER 2**



ELIGIBILITY: PA-28-181 S/N 28-8090001 and up	
Kit Part Number	Description
PA28181-2BRBK	Piper PA-28-181 Bare Aluminum Full Set with Black Seals
PA28181-2PCBK	Piper PA-28-181 Powder Coated Full Set with Black Seals
PA28181-2SBK	Piper PA-28-181 Seal Kit Black (Airforms' seal replacements)

[Orange and blue seals are available at an additional cost.]

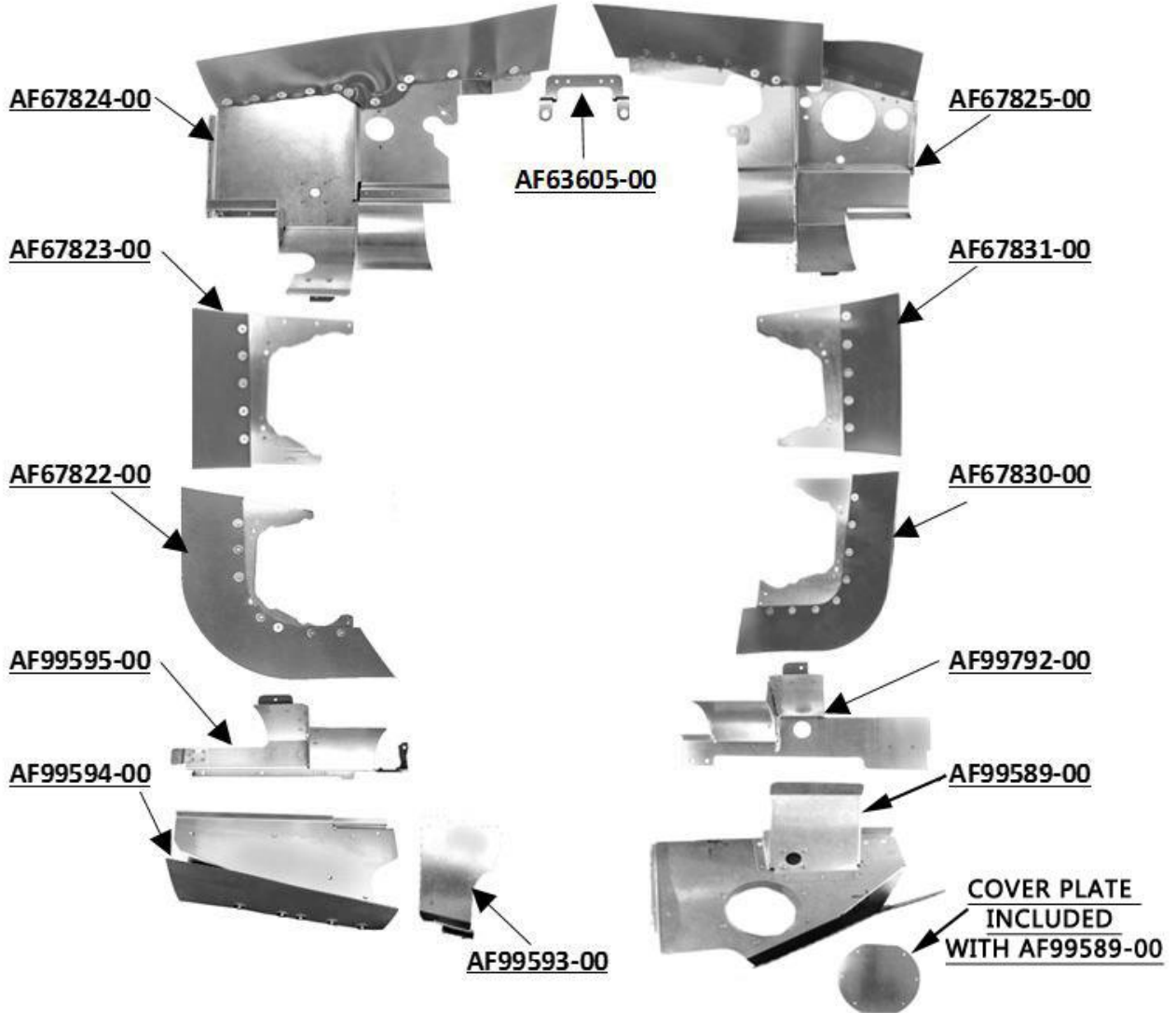
**FAA PMA ENGINE Baffles for Piper Aircraft
 Piper PA-28-181 Archer 3**



ELIGIBILITY: PA-28-181 S/N 2843001 and on – excluding fuel injected models	
Kit Part Number	Description
PA28181-3BRBK	Piper PA-28-181-3 Bare Aluminum Full Set with Black Seals
PA28181-3PCBK	Piper PA-28-181-3 Powder Coated Full Set with Black Seals
PA28181-3SBK	Piper PA-28-181-3 Seal Kit Black (Airforms' seal replacements)

[Orange and blue seals are available at an additional cost.]

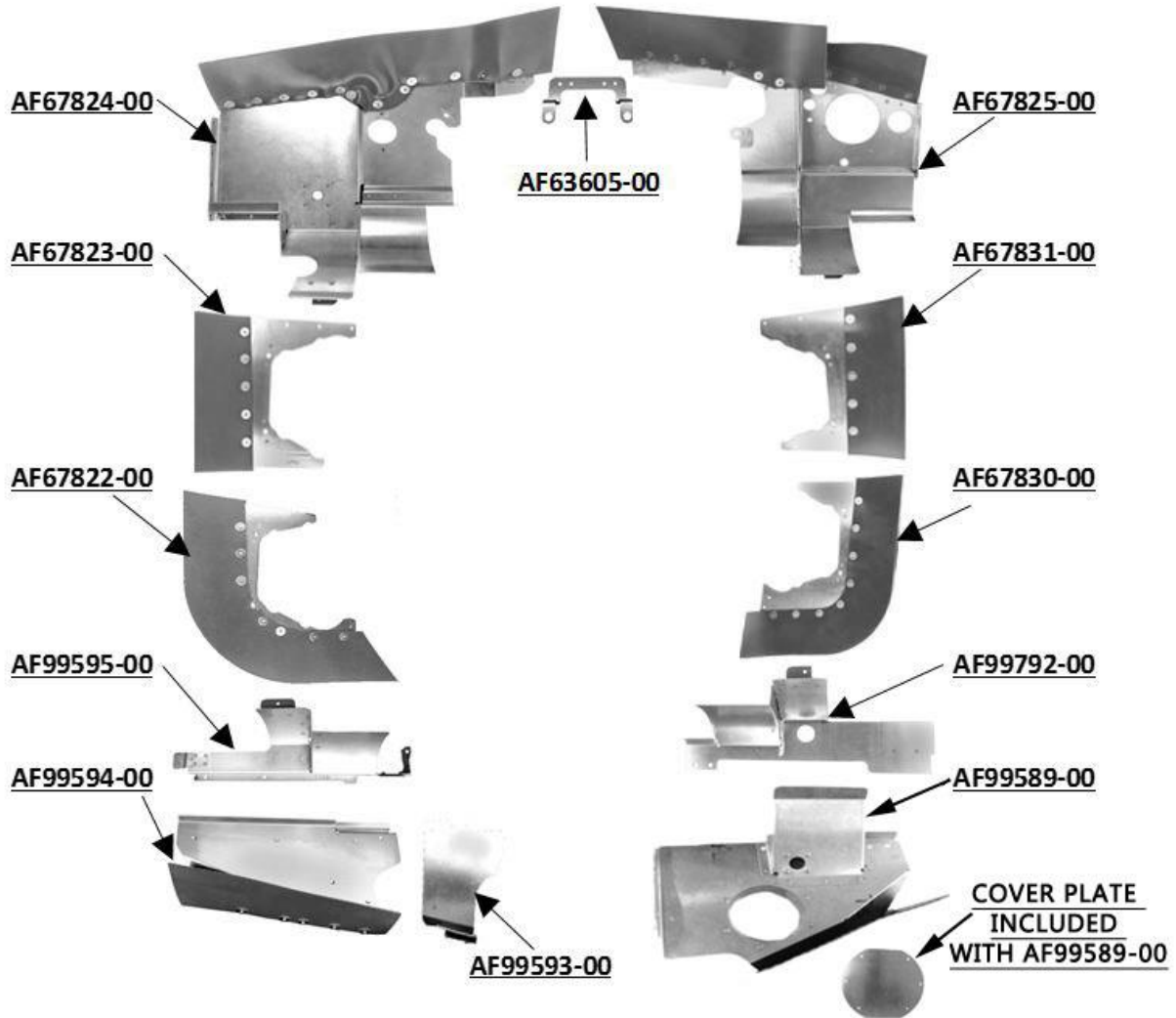
**FAA PMA ENGINE Baffles for PIPER AIRCRAFT
 PIPER PA-28R-200**



ELIGIBILITY: PA-28R-200 S/N 28R-35001 thru 28R-35820, 28R-7135001 thru 28R-7135229	
Kit Part Number	Description
PA28R-200BRBK	Piper PA-28R-200 Bare Aluminum Full Set with Black Seals
PA28R-200PCBK	Piper PA-28R-200 Powder Coated Full Set with Black Seals
PA28R-200SBK	Piper PA-28R-200 Seal Kit Black (Airforms' seal replacements)

[Orange and blue seals are available at an additional cost.]

**FAA PMA ENGINE Baffles for Piper Aircraft
 PIPER PA-28R-201**

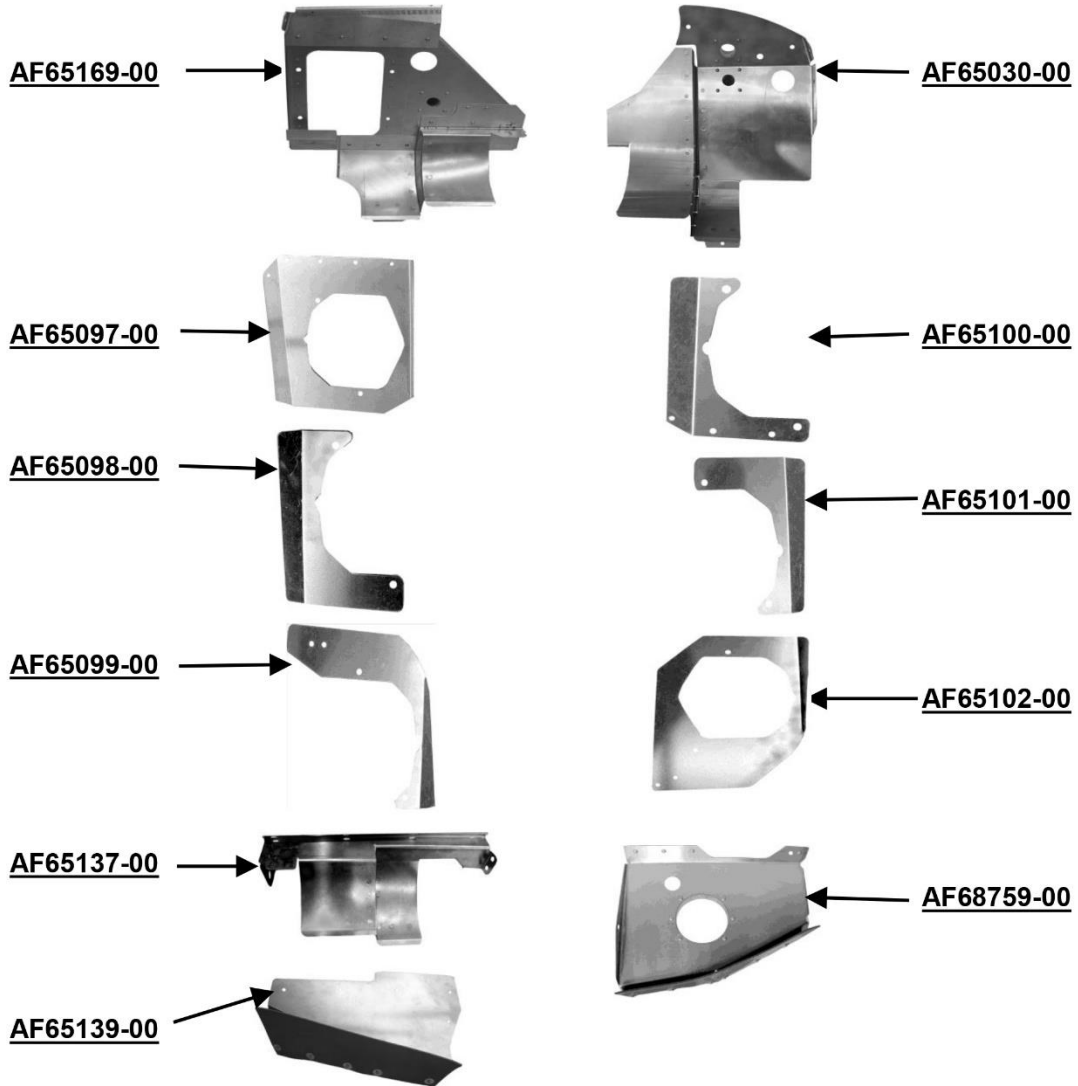


ELIGIBILITY: PA-28R-201 S/N 28R-7737002 thru 28R-7837317, 2837001 thru 2837061, 2844001 and on	
Kit Part Number	Description
PA28R-201BRBK	Piper PA-28R-201 Bare Aluminum Full Set with Black Seals
PA28R-201PCBK	Piper PA-28R-201 Powder Coated Full Set with Black Seals
PA28R-201SBK	Piper PA-28R-201 Seal Kit Black (Airforms' seal replacements)

[Orange and blue seals are available at an additional cost.]

FAA PMA ENGINE Baffles for Piper Aircraft

**FAA PMA ENGINE Baffles for Piper Aircraft
 PIPER PA-28-235**



ELIGIBILITY: PA-28-235 S/N 28-10003 thru 28-7210033

Kit Part Number	Description
PA28-235BRBK	Piper PA-28-235 Bare Aluminum Full Set with Black Seals
PA28-235PCBK	Piper PA-28-235 Powder Coated Full Set with Black Seals
PA28-235SBK	Piper PA-28-235 Seal Kit Black (Airforms' seal replacements)

[Orange and blue seals are available at an additional cost.]

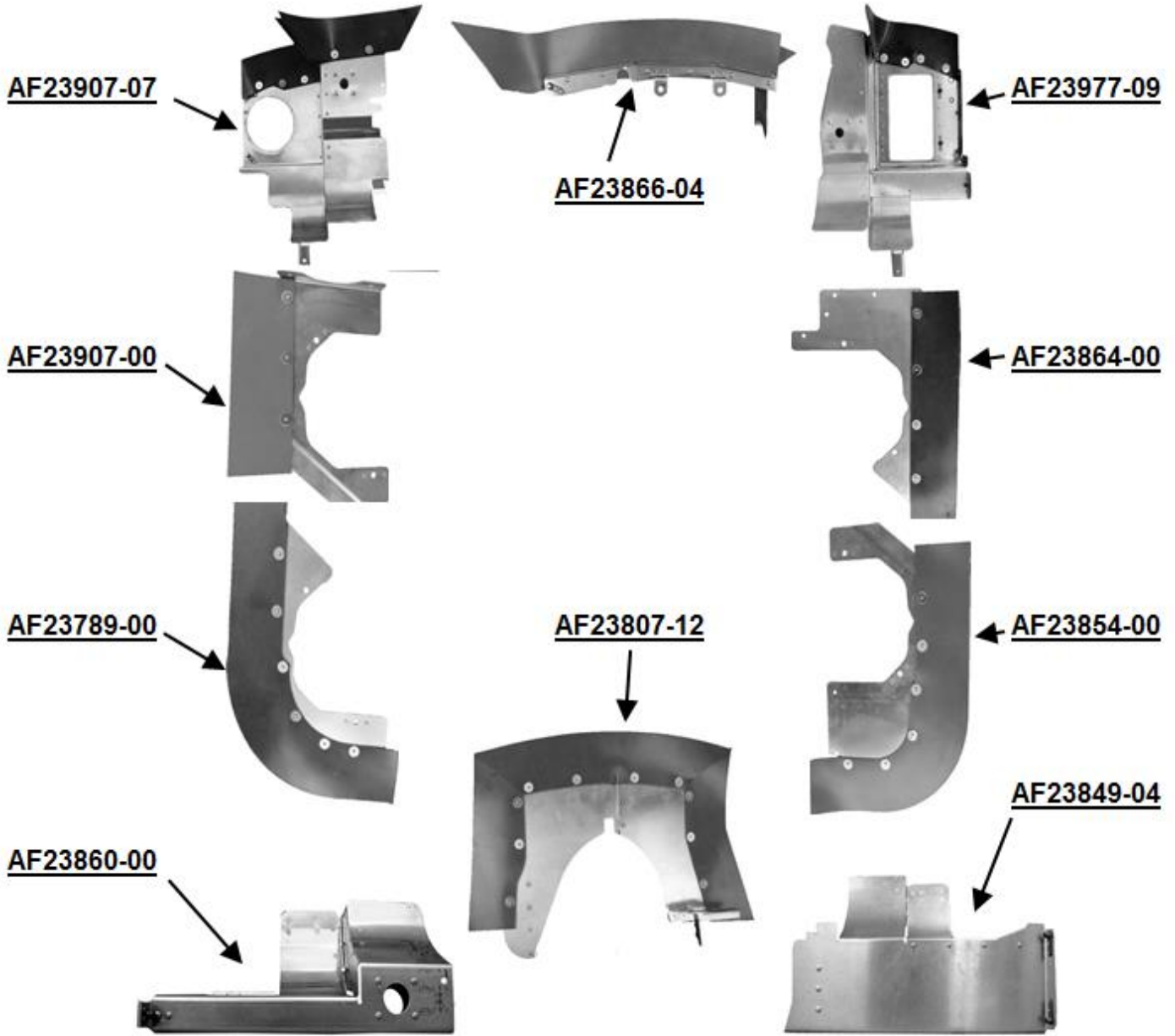
**FAA PMA ENGINE Baffles for Piper Aircraft
 PIPER PA-28-236**



ELIGIBILITY: PA-28-236 S/N 28-7911001 thru 28-8611008, 2811001 thru 2811050, 2845001 and on	
Kit Part Number	Description
PA28-236BRBK	Piper PA-28-236 Bare Aluminum Full Set with Black Seals
PA28-236PCBK	Piper PA-28-236 Powder Coated Full Set with Black Seals
PA28-236SBK	Piper PA-28-236 Seal Kit Black (Airforms' seal replacements)

[Orange and blue seals are available at an additional cost.]

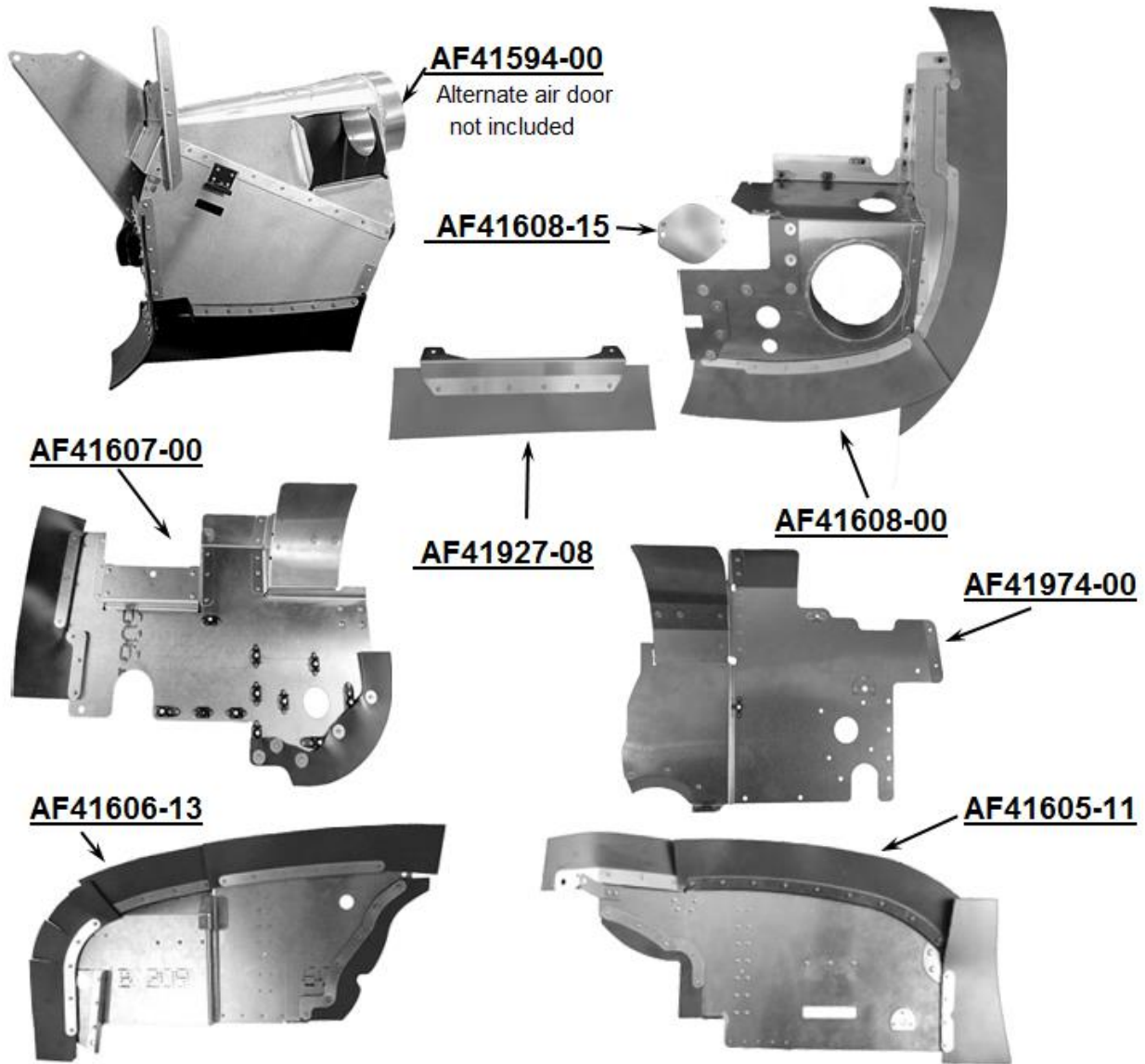
**FAA PMA ENGINE Baffles for Piper Aircraft
 PIPER PA-30**



ELIGIBILITY: PA-30 S/N 30-542 thru 30-1744 excl. 1717	
Kit Part Number	Description
PA30-BRBK	Piper PA-30 Bare Aluminum Full Set with Black Seals
PA30-PCBK	Piper PA-30 Powder Coated Full Set with Black Seals
PA30-SBK	Piper PA-30 Seal Kit Black (Airforms' seal replacements)

[Orange and blue seals are available at an additional cost.]

**FAA PMA ENGINE Baffles for Piper Aircraft
 PIPER PA-31-310**



ELIGIBILITY: S/N 31-2 thru 31-822031	
Kit Part Number	Description
PA31-310BRBK	Piper PA-31-310 Bare Aluminum Full Set with Black Seals
PA31-310PCBK	Piper PA-31-310 Powder Coated Full Set with Black Seals
PA31-310SBK	Piper PA-31-310 Seal Kit Black (Airforms' seal replacements)

[Orange and blue seals are available at an additional cost.]

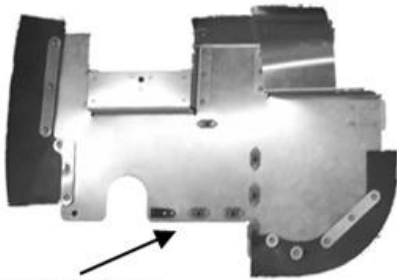
Note: Includes AMOC with AD 93-23-13 for baffle seal material.

**FAA PMA ENGINE Baffles for Piper Aircraft
 PIPER PA-31 325 / 350**

AF41606-13



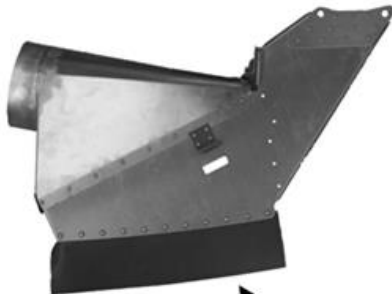
AF41605-11



AF41607-13



AF41974-07



AF41594-02



AF41927-08



AF52777-02

Eligibility: 325 NAVAJO S/N 31-7512001 thru 31-8312019 350 CHIEFTIAN S/N 31-7305001 thru 31-8553002	
Kit Part Number	Description
PA31325350-BRBK	Piper PA-31-325/350 Bare Aluminum Full Set with Black Seals
PA31325350-PCBK	Piper PA-31-325/350 Powder Coated Full Set with Black Seals
PA31325350-SBK	Piper PA-31-325/350 Seal Kit Black (Airforms' seal replacements)

[Orange and blue seals are available at an additional cost.]

Note: Includes AMOC with AD 93-23-13 for baffle seal material.

**FAA PMA ENGINE Baffles for PIPER AIRCRAFT
 PIPER PA-32-260**

Early models

AF65169-09

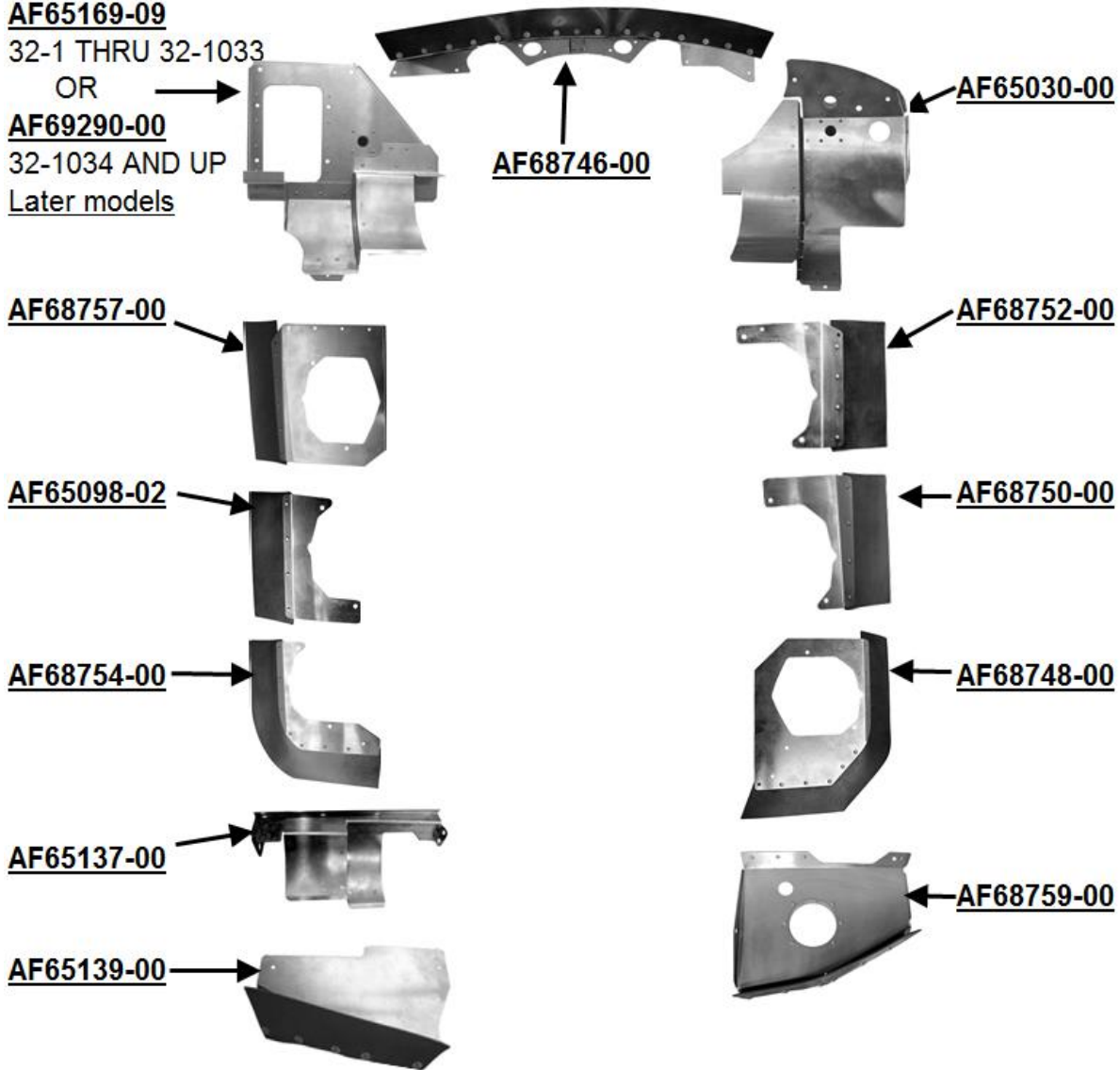
32-1 THRU 32-1033

OR

AF69290-00

32-1034 AND UP

Later models

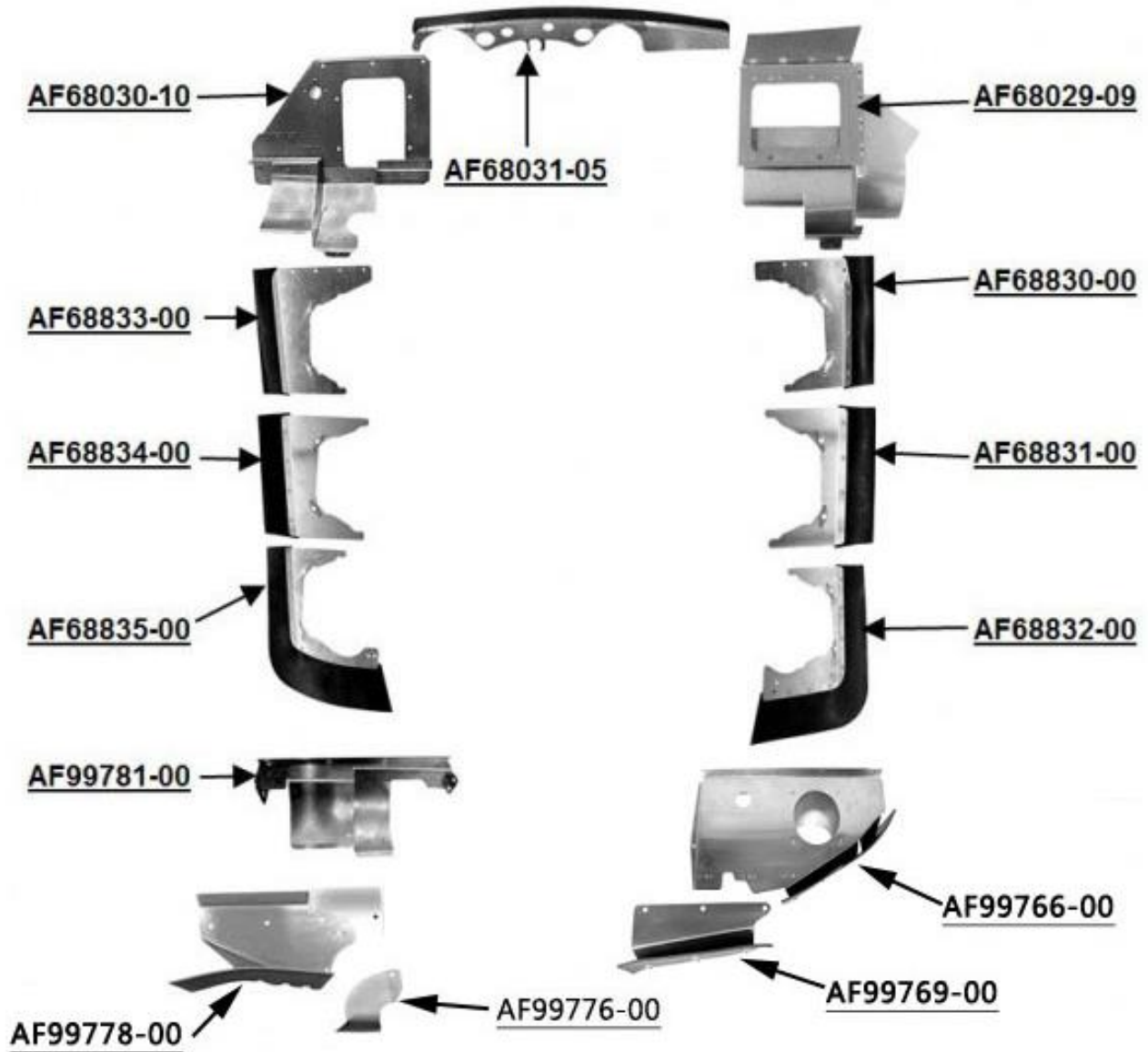


ELIGIBILITY: PA-32-260

Early Models 1965 – 1968.5 S/N 32-1 THRU 32-1033		Late Models 1968.5 - 1978 S/N 32-1034 and on	
Kit P/N	Description	Kit P/N	Description
PA32260-65685BRBK	Bare Aluminum Set w/Black Seals	PA32260-68578BRBK	Bare Aluminum Full Set w/Black Seals
PA32260-65685PCBK	Powder Coated Set w/Black Seals	PA32260-68578PCBK	Powder Coated Full Set w/Black Seals
PA32-260SBK , Seal Kit Black [covers both models] (Airforms' seal replacements)			

[Orange and blue seals are available at an additional cost.]

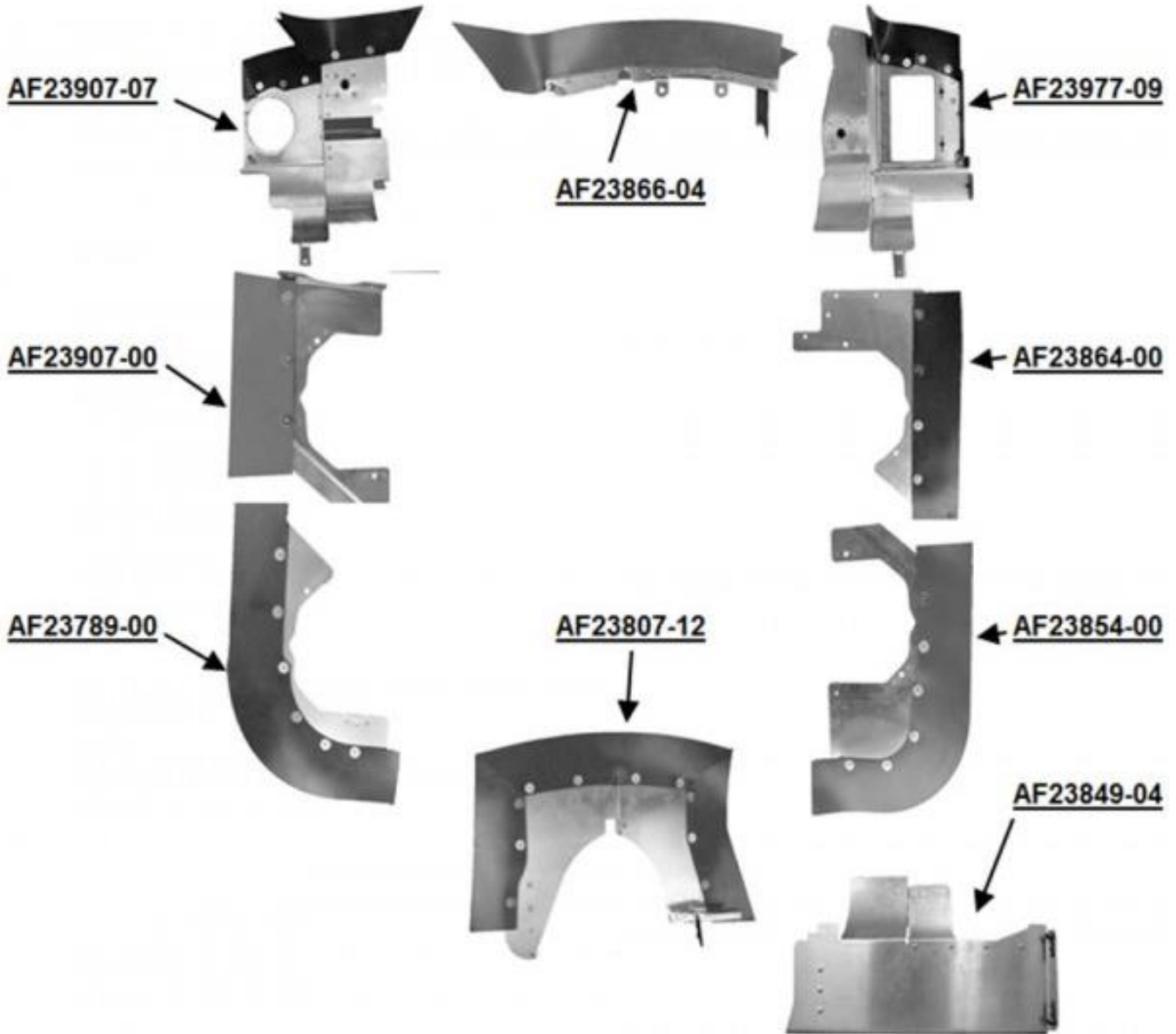
**FAA PMA ENGINE Baffles for Piper Aircraft
 PIPER PA-32-300**



ELIGIBILITY: S/N 32-7640072 THRU 32-7940290	
Kit Part Number	Description
PA32-300-BRBK	Piper PA32-300 Bare Aluminum Full Set with Black Seals
PA32-300-PCBK	Piper PA32-300 Powder Coated Full Set with Black Seals
PA32-300-SBK	Piper PA32-300 Seal Kit Black (Airforms' seal replacements)

[Orange and blue seals are available at an additional cost.]

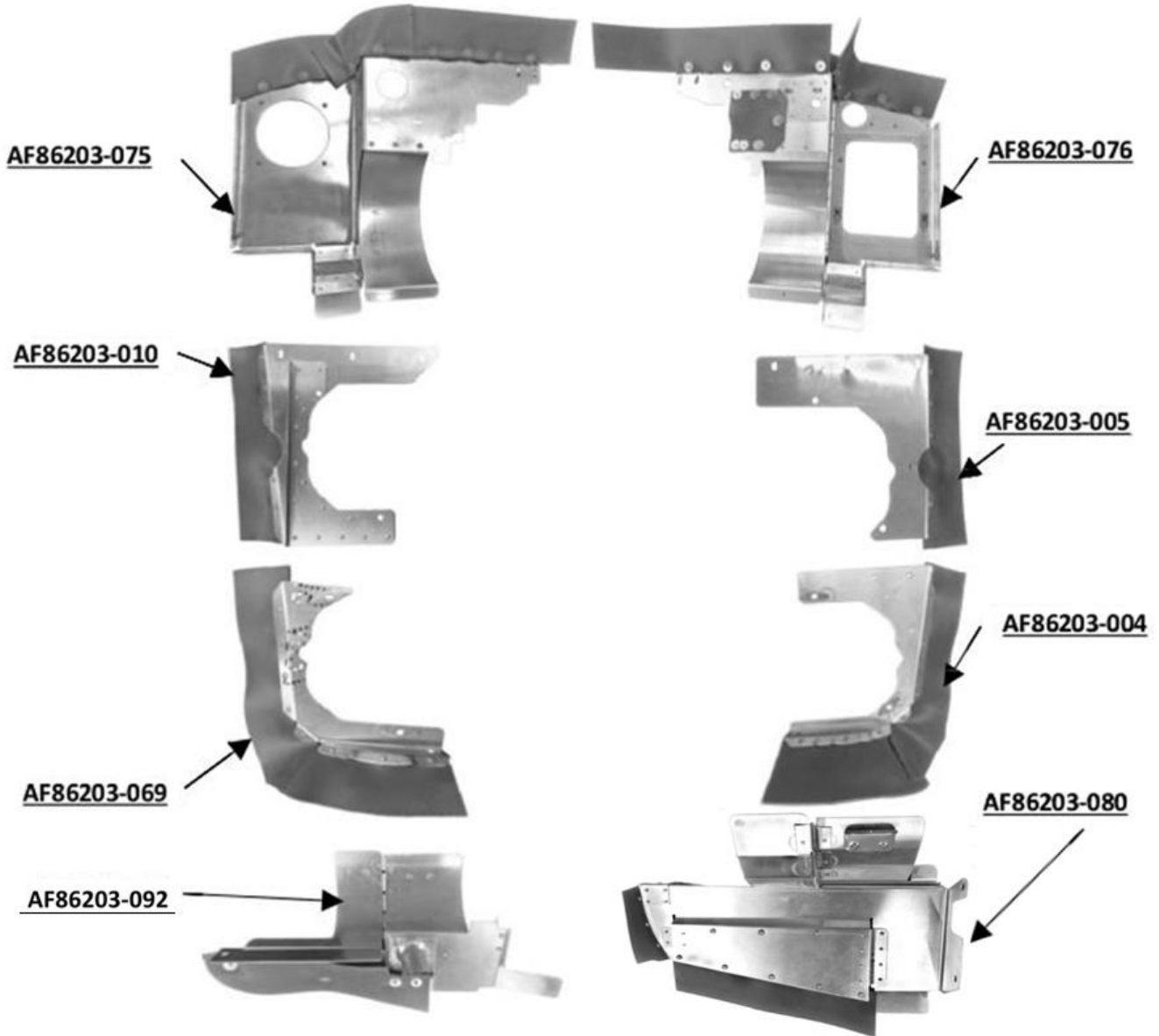
**FAA PMA ENGINE Baffles for PIPER AIRCRAFT
 PIPER PA-39**



ELIGIBILITY: PA-39 S/N 39-1 thru 39-155	
Kit Part Number	Description
PA39-BRBK	Piper PA-39 Bare Aluminum Full Set with Black Seals
PA39-PCBK	Piper PA-39 Powder Coated Full Set with Black Seals
PA39-SBK	Piper PA-39 Seal Kit Black (Airforms' seal replacements)

[Orange and blue seals are available at an additional cost.]

**FAA PMA ENGINE Baffles for Piper Aircraft
 PIPER PA-44-180**



ELIGIBILITY: PA-44 S/N 44-7995001 and on	
Kit Part Number	Description
PA-44-180-BRBK	Piper PA-44-180 Bare Aluminum Full Set with Black Seals
PA-44-180-PCBK	Piper PA-44-180 Powder Coated Full Set with Black Seals
PA-44-180-SBK	Piper PA-44-180 Seal Kit Black (Airforms' seal replacements)

[Orange and blue seals are available at an additional cost.]